

# DocuPrint P205 b



## User Guide

# Contents

Preface .....	5
Trademarks and Document Disclaimer .....	6
Types of Manuals .....	7
Using This Guide .....	8
Organization .....	9
Conventions .....	10
Safety Notes .....	11
Electrical Safety .....	12
Machine Installation .....	14
Operational Safety .....	16
Consumable .....	18
Warning and Caution Labels .....	19
Environment .....	20
Regulation .....	21
Radio Frequency Emissions (Class B) .....	21
Product Safety Certification (CB) .....	21
Illegal Copies and Printouts .....	22
Product Features .....	23
1      Specifications .....	25
2      Basic Operation .....	29
Main Components .....	30
Front View .....	31
Rear View .....	32
Operator Panel .....	33
Turning On the Printer .....	34
Power Saver Mode .....	35
Setting the Time for the Power Saver Mode .....	36
Exiting the Power Saver Mode .....	37
3      Printer Management Software .....	39
Print Driver .....	40
Printer Setting Utility (Windows Only) .....	41
SimpleMonitor (Windows Only) .....	42
Launcher (Windows Only) .....	43
4      Installing the Print Driver .....	45
Connecting Your Printer .....	46
Connecting Printer to Computer .....	47
Installing Print Driver on Computers Running Windows .....	48

	Inserting the Software Pack CD-ROM .....	49
	USB Connection Setup .....	50
	Installing Print Driver on Computers Running Mac OS X .....	51
	Installing the Driver .....	52
<b>5</b>	<b>Printing Basics .....</b>	<b>55</b>
	About Print Media .....	56
	Print Media Usage Guidelines .....	57
	Print Media That Can Damage Your Printer .....	58
	Print Media Storage Guidelines .....	59
	Supported Print Media .....	60
	Usable Print Media .....	61
	Loading Print Media .....	63
	Capacity .....	64
	Print Media Dimensions .....	65
	Loading Print Media in the Multipurpose Feeder (MPF) .....	66
	Manual Duplex Printing (Windows Print Driver Only) .....	74
	Using the Output Tray Extension .....	77
	Printing .....	78
	Sending a Job to Print .....	79
	Canceling a Print Job .....	80
	Selecting Printing Options .....	81
	Printing Custom Size Paper .....	86
	Checking Status of Print Data .....	88
	Printing a Report Page .....	89
	Printer Settings .....	90
<b>6</b>	<b>Using the Operator Panel .....</b>	<b>91</b>
	Resetting to Factory Defaults .....	92
	Understanding the Operator Panel Lights .....	93
	Light Sequences .....	94
<b>7</b>	<b>Troubleshooting .....</b>	<b>97</b>
	Clearing Jams .....	98
	Avoiding Jams .....	99
	Identifying the Location of Paper Jams .....	100
	Clearing Paper Jams From the Front of the Printer .....	101
	Clearing Paper Jams From the Back of the Printer .....	102
	Clearing Paper Jams From the Center Output Tray .....	104
	Jam Problems .....	106
	Basic Printer Problems .....	107
	Display Problems .....	108
	Printing Problems .....	109
	Print Quality Problems .....	111
	The Output Is Too Light .....	112

	Toner Smears or Print Comes Off/Stain on Back Side .....	113
	Random Spots/Blurred Images.....	114
	The Entire Output Is Blank.....	115
	Streaks Appear on the Output .....	116
	Mottle .....	117
	Ghosting .....	118
	Fog.....	119
	Bead-Carry-Out (BCO) .....	120
	Auger Mark .....	121
	Wrinkled/Stained Paper.....	122
	The Top Margin Is Incorrect.....	123
	Protrudent/Bumpy Paper .....	124
	Other Problems .....	125
	Contacting Service .....	126
	Getting Help.....	127
	Operator Panel Lights.....	128
	SimpleMonitor Alerts.....	129
	Obtaining the Product Information .....	130
	Non-Genuine Mode .....	131
	The Printer Setting Utility .....	132
<b>8</b>	<b>Maintenance .....</b>	<b>133</b>
	Replacing the Toner Cartridge .....	134
	Overview .....	135
	Removing the Toner Cartridge .....	136
	Installing a Toner Cartridge .....	138
	Ordering Supplies.....	140
	Consumables.....	141
	When to Order a Toner Cartridge .....	142
	Recycling Supplies .....	143
	Storing Consumables .....	144
	Managing the Printer .....	145
	Checking Printer Status with SimpleMonitor (Windows Only) .....	146
	Conserving Supplies.....	147
	Checking Page Counts.....	148
	Moving the Printer .....	149
	Contacting Fuji Xerox .....	153
	Technical Support.....	154
	Online Services .....	155



# Preface

---

Thank you for purchasing the DocuPrint P205 b.

This guide is intended for users who use the printer for the first time, and provides all the necessary operating information about the printer function.

Please read this guide to achieve the best performance from this printer.

This guide assumes you are familiar with computers.

After reading this guide, keep it safe and handy for future reference.

DocuPrint P205 b User Guide Help

Copyright© 2010 by Fuji Xerox Co., Ltd.

Fuji Xerox Co., Ltd.

October 2010 (Edition 2)

No. ME4894E2-1


# Trademarks and Document Disclaimer

---

Apple®, Bonjour®, ColorSync®, Macintosh®, and Mac OS® are trademarks of Apple Inc. in the United States and/or other countries.

Microsoft®, Windows Vista®, Windows®, and Windows Server® are trademarks of Microsoft Corporation in the United States and/or other countries.

All product/brand names are trademarks or registered trademarks of the respective holders.

In this manual, safety instructions are preceded by the symbol . Always read and follow the instructions before performing the required procedures.

## **IMPORTANT:**

1. This manual is copyrighted with all rights reserved. Under the copyright laws, this manual may not be copied or modified in whole or part, without the written consent of the publisher.
2. Parts of this manual are subject to change without prior notice.
3. We welcome any comments on ambiguities, errors, omissions, or missing pages.
4. Never attempt any procedure on the machine that is not specifically described in this manual. Unauthorized operation can cause faults or accidents. Fuji Xerox is not liable for any problems resulting from unauthorized operation of the equipment.
5. Decompiling this manual is prohibited.

An export of this product is strictly controlled in accordance with Laws concerning Foreign Exchange and Foreign Trade of Japan and/or the export control regulations of the United States.

XEROX, the sphere of connectivity design, and DocuPrint are trademarks or registered trademarks of Xerox Corporation in the U.S. or Fuji Xerox Co., Ltd.

DocuWorks is a trademark of Fuji Xerox Co., Ltd.

All Xerox and Fuji Xerox product names are either registered trademarks or trademarks of Xerox Corporation or Fuji Xerox Co., Ltd.

# Types of Manuals

---

Safety Guide	Describes the information you need to know before using the printer and to operate the printer safely.
Setup Guide	Provides step-by-step instructions on how to set up your printer.
User Guide (HTML File) (this guide)	Describes how to get ready to print and set various features. It also covers the operator panel indicators, troubleshooting tips, and maintenance information.  This guide is on the <i>Software Pack CD-ROM</i> .
Operator Panel Guide	Describes the icons assigned to the buttons or indicators on the operator panel.



# Using This Guide

---

This section includes:

- ["Organization" on page 9](#)
- ["Conventions" on page 10](#)

## ■ Organization

This guide is organized into the following chapters. The summary of each chapter is as follows:

<a href="#">1 Specifications</a>	Describes the printer specifications.
<a href="#">2 Basic Operation</a>	Describes the main components of the printer, the power saver mode, and how to turn on the printer.
<a href="#">3 Printer Management Software</a>	Describes the software available for the printer.
<a href="#">4 Installing the Print Driver</a>	Describes the basic information about how to connect the printer to your computer and how to install the print driver.
<a href="#">5 Printing Basics</a>	Describes the supported paper, how to load paper, and how to print data using various print features.
<a href="#">6 Using the Operator Panel</a>	Describes the indicators on the operator panel.
<a href="#">7 Troubleshooting</a>	Describes the troubleshooting tips for printer problems such as paper jams.
<a href="#">8 Maintenance</a>	Describes how to clean the printer, how to replace toner cartridges, and how to see the printer status.
<a href="#">9 Contacting Fuji Xerox</a>	Describes support information.

## ■ Conventions

- 1 In this guide, personal computers and workstations are collectively called “computers”.
- 2 The following terms are used throughout this guide:

### IMPORTANT:

- Important information that must be read and followed.

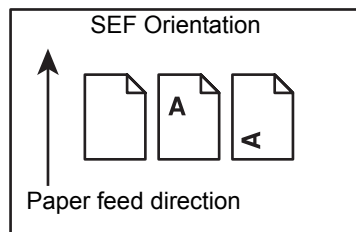
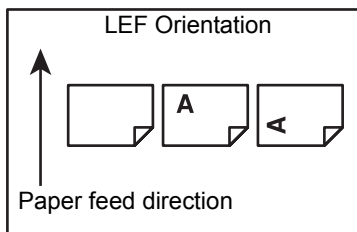
### NOTE:

- Additional information that merits emphasis.

### See also:

- References within this guide.


- 3 Orientation of documents or paper is described in this guide as follows:  
☐, ☐, Long Edge Feed (LEF): Loading the document or paper in landscape orientation.  
☐, ☐, Short Edge Feed (SEF): Loading the document or paper in portrait orientation.



# Safety Notes
























Before using this product, read “Safety Notes” carefully for safety use.

This product and recommended supplies have been tested and found to comply with strict safety requirements including safety agency approvals and compliance with environmental standards. Follow the following instructions for safety use.

 **WARNING:**

- Any unauthorized alteration including an addition of new functions or connection to external devices may not be covered by the product warranty. Contact your local Fuji Xerox representative for more information.

Follow all warning instructions marked on this product. The warning marks stand for the followings:

 <b>DANGER</b>	Used for item that if not followed strictly, can lead death or severe or fatal injuries and the possibility to do it is comparatively high.
 <b>WARNING</b>	Used for items that if not followed strictly, can lead to severe or fatal injuries.
 <b>CAUTION</b>	Used for items that if not followed strictly, can cause injuries to user or damages to machine.
<p>: A symbol for items to pay attention to when handling machine. Follow instructions carefully to use machine safely.</p>	
      	
<p>Caution    Flammable    Explodable    Electric shock    Heated surface    Moving object    Pinched fingers</p>	
<p>: A symbol for prohibited items. Follow instructions carefully to avoid any dangerous acts.</p>	
      	
<p>Prohibited    No fire    Do not touch    Do not use in bathroom    Do not tear down    Keep away from wet    Never touch with wet hand</p>	
<p>: A symbol for items that must be performed. Follow instructions carefully to carry out these essential tasks.</p>	
  	
<p>Instructions    Unplug    Ground/Earth</p>	

# ■ Electrical Safety

## WARNING

This product shall be operated by the power source as indicated on the product's data plate. Consult your local power company to check if your power source meets the requirements.



### WARNING:

- **Connect this product to a protective earth circuit.**

This product is supplied with a plug that has a protective earth pin. The plug fits only into an earthed electrical outlet. This is a safety feature. If the plug doesn't fit to the outlet, contact an electrician to replace the outlet to avoid risk of electric shock. Never use an earthed adapter plug to connect the product to the electrical outlet that has no earth connection terminal.

Improper connection of a grounding conductor may cause electric shock.



Plug the power cord directly into a grounded electrical outlet. To prevent overheat and a fire accident, do not use an extension cord, a multi-plug adaptor or a multiple connector. Consult your local Fuji Xerox representative to check if an outlet is grounded.



Connect this product to a branch circuit or an outlet that has larger capacity than the rated ampere and voltage of this product. See the data plate on the rear panel of this product for its rated ampere and voltage.



Never touch the power cord with wet hands. It may cause electric shock.



Do not place an object on the power cord.



Always keep the plug connection free of dust. The dusty and damp environment may bring about minute electric current in a connector. It may generate heat and eventually cause a fire accident.



To avoid the risk of electric shock and a fire accident, only use the power cord supplied with this product or the ones designated by Fuji Xerox.

The power cord is exclusive use for this product. Do not use it for any other product.

Do not damage or alter the power cord. Damage and alteration may generate heat and eventually cause electric shock or a fire accident.

If the power cord is damaged or insulated wires are exposed, contact your local Fuji Xerox representative for its replacement. Do not use a damaged or uninsulated cord to avoid the risk of electric shock and a fire accident.

## CAUTION



When cleaning this product, always switch off and unplug it. Access to a live machine interior may cause electric shock.



Do not unplug or re-plug this product with the switch on. Plugging and unplugging a live connector may deform the plug and generate heat, and eventually cause a fire accident.



Hold the plug not the cord when unplugging this product, or it may damage the cord and cause electric shock or a fire accident.



Once a month, switch off this product and check if

- the power cord is plugged firmly into an electrical outlet;
- the plug is not excessively heated, rusted or bent;
- the plug and electrical outlet are free of dust; and
- the power cord is not cracked or worn down.

Once you notice any unusual condition, switch off and unplug this product first and contact your local Fuji Xerox representative.

---

## ■ Machine Installation

### ⚠ WARNING



Do not locate this product where people might step on or trip over the power cord.

Friction or excessive pressure may generate heat and eventually cause electric shock or a fire accident.

### ⚠ CAUTION



Never locate this product in the following places:

- Near radiators or any other heat sources
- Near volatile flammable materials such as curtains
- In the hot, humid, dusty or poorly ventilated environment
- In the place receiving direct sunlight
- Near cookers or humidifiers

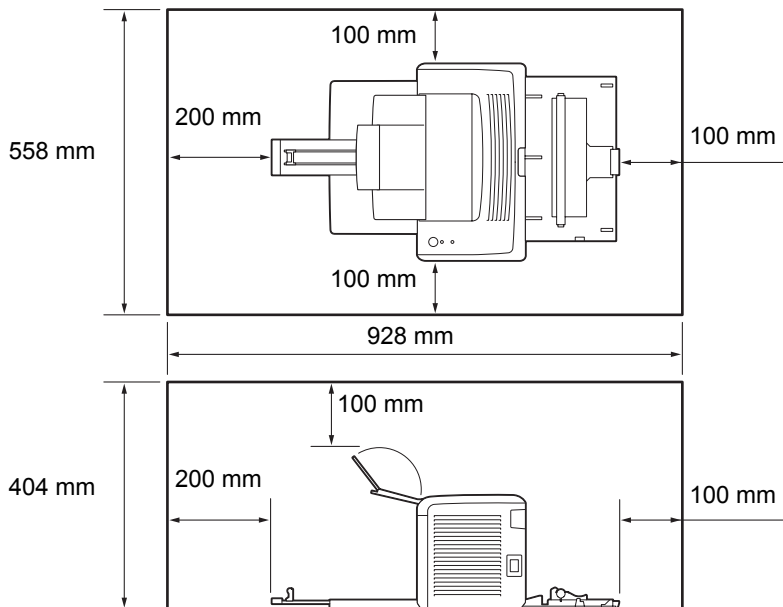


Locate this product on a level and sturdy surface that can withstand a weight of 4.6 Kg. Otherwise, if tilted, the product may fall over and cause injuries.



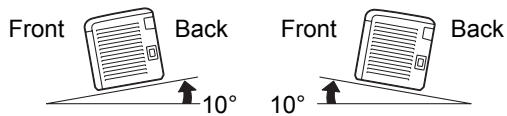
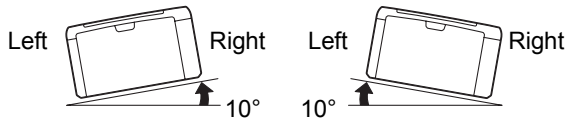
Locate this product in a well-ventilated area. Do not obstruct ventilation openings of the product.

Keep the minimum clearance as follows for ventilation and an access to the power plug. Unplug the product if an abnormal condition is noted.





Do not incline the product at more than 10 degree angle. Otherwise, it may fall over and cause injuries.



To bundle wires and cables, always use the cable ties and spiral tubes that Fuji Xerox supplies. Otherwise, it may cause some defects.

---

## Others



To keep this product in a good performance and condition, always use it in the following environment:

- Temperature: 10 – 32 °C
- Humidity: 10 – 85%

When the product is left in a chilly room and the room is rapidly warmed up by heater, dew condensation may form inside the product and cause a partial deletion on printing.

---



## ■ Operational Safety

### WARNING



The operator's product maintenance procedures are described in the customer documentation supplied with this product. Do not carry out any other maintenance procedures not described in the documentation.



This product features safety design not to allow operators access to hazard areas. The hazard areas are isolated from operators by covers or protectors which require a tool to remove. To prevent electric shock and injuries, never remove those covers and protectors.



To avoid the risk of electric shock and a fire accident, switch off and unplug the product promptly in the following conditions, then contact your local Fuji Xerox representative.

- The product emits smoke or its surface is unusually hot.
- The product emits unusual noise or odor.
- The power cord is cracked or worn down.
- A circuit breaker, fuse or any other safety device is activated.
- Any liquid is spilled into the product.
- The product is soaked in water.
- Any part of the product is damaged.



Do not insert any object into slots or openings of this product.  
Do not place any of the followings on the product:

- Liquid container such as flower vases or coffee cups
- Metal parts such as staples or clips
- Heavy objects

If liquid is spilled over or metal parts are slipped into the product, it may cause electric shock or a fire accident.



Do not use conductive paper such as origami paper, carbonic paper or conductively-coated paper. When paper jam occurs, it may cause short-circuit and eventually a fire accident.



When cleaning this product, use the designated cleaning materials exclusive to it. Other cleaning materials may result in poor performance of the product. Never use aerosol cleaners, or it may catch fire and cause explosion.



Never play the CD-ROM supplied with the product on an audio player. Always use a CD-ROM player. Otherwise, large sound may damage audio players or your ears.

### CAUTION



Always follow all warning instructions marked on or supplied with this product.

To avoid the risk of burn injuries and electric shock, never touch the area with the "High Temperature" or "High Voltage" marks on.



Keep electrical and mechanical safety interlocks active. Keep the safety interlocks away from magnetic materials. Magnetic materials may accidentally activate the product and cause injuries or electric shock.



Do not attempt to remove a paper jammed deeply inside the product, particularly a paper wrapped around a Fusing Unit or a heat roller. Otherwise, it may cause injuries or burns. Switch off the product promptly and contact your local Fuji Xerox representative.



Ventilate well during extended operation or mass copying. It may affect the office air environment due to odor such as ozone in a poorly ventilated room.

Provide proper ventilation to ensure the comfortable and safe environment.

---

## ■ Consumable

### WARNING



---

Store all consumables in accordance with the instructions given on its package or container.



---

Use a broom or a wet cloth to wipe off spilled toner. Never use a vacuum cleaner for the spills. It may catch fire by electric sparks inside the vacuum cleaner and cause explosion. If you spill a large volume of toner, contact your local Fuji Xerox representative.



---

Never throw a toner cartridge into an open flame. Remaining toner in the cartridge may catch fire and cause burn injuries or explosion.

If you have a used toner cartridge no longer needed, contact your local Fuji Xerox representative for its disposal.

---

### CAUTION



---

Keep toner cartridges out of the reach of children. If a child accidentally swallows toner, spit it out, rinse mouth with water, drink water and consult a physician immediately.



---

When replacing toner cartridges, be careful not to spill the toner. In case of any toner spills, avoid contact with clothes, skin, eyes and mouth as well as inhalation.



---

If toner spills onto your skin or clothing, wash it off with soap and water.

If you get toner particles in your eyes, wash it out with plenty of water for at least 15 minutes until irritation is gone. Consult a physician if necessary.

If you inhale toner particles, move to a fresh air location and rinse your mouth with water.

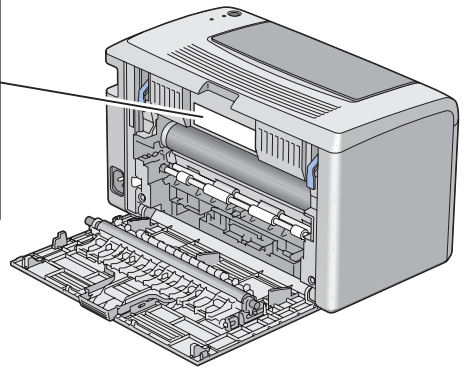
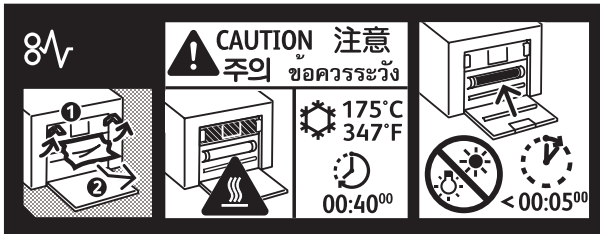
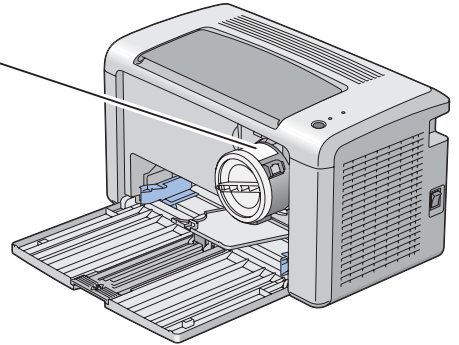
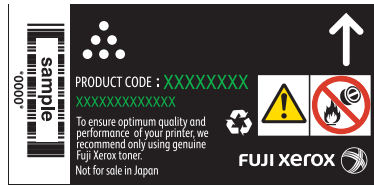
If you swallow toner, spit it out, rinse your mouth with water, drink plenty of water and consult a physician immediately.

---

## ■ Warning and Caution Labels

Always follow all warning instructions marked on or supplied with this product.

To avoid the risk of burn injuries and electric shock, never touch the area with the "High Temperature" or "High Voltage" marks on.



# Environment

---

- For environmental protection and efficient use of resources, Fuji Xerox reuses returned toner cartridges to make recycle parts, recycle materials or energy recovery.
- Proper disposal is required for toner cartridges no longer needed. Do not open toner cartridges containers. Return them to your local Fuji Xerox representative.

# Regulation

---

## ■ Radio Frequency Emissions (Class B)



This product has been tested and found to comply with the limits for a Class B digital device, pursuant to the International Standard for Electromagnetic Interference (CISPR Publ. 22) and Radiocommunications Act 1992 in Australia/New Zealand. These limits are designed to provide reasonable protection against harmful interference in a residential installation. This product generates, uses and can radiate radio frequency energy and, if not installed and used in accordance with the instructions, may cause harmful interference to radio communications. However, there is no guarantee that interference will not occur in a particular installation. If this product does cause harmful interference to radio or television reception, which can be determined by turning this product off and on, the user is encouraged to try to correct the interference by one or more of the following measures:

- Reorient or relocate the receiving antenna.
- Increase the separation between this product and the receiver.
- Connect this product into an outlet on a circuit different from that to which the receiver is connected.
- Consult the dealer or an experienced radio/TV technician for help.

Changes and modifications to this product not specifically approved by Fuji Xerox may void the user's authority to operate this product.

---

## ■ Product Safety Certification (CB)

This product is certified by the following agency using the safety standards listed.

Agency	Standard
Intertek	IEC60950-1:ed. 2

# Illegal Copies and Printouts

---

Copying or printing certain documents may be illegal in your country. Penalties of fines or imprisonment may be imposed on those found guilty. The following are examples of items that may be illegal to copy or print in your country.

- Currency
- Banknotes and checks
- Bank and government bonds and securities
- Passports and identification cards
- Copyright material or trademarks without the consent of the owner
- Postage stamps and other negotiable instruments

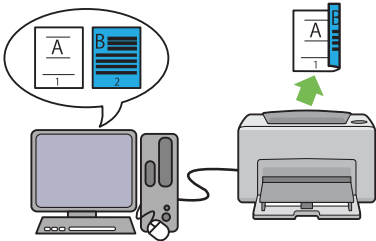
This list is not inclusive and no liability is assumed for either its completeness or accuracy. In case of doubt, contact your legal counsel.

# Product Features

---

This chapter describes the product features and indicates their links.

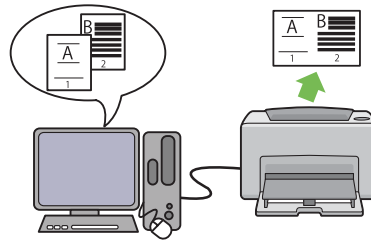
## Manual Duplex Print



Duplex Print is to print two or more pages on the front and back sides of a single sheet of paper manually. This feature allows you to reduce the paper consumption.

For more information, see "[Manual Duplex Printing \(Windows Print Driver Only\)](#)" on page 74.

## N-Up Print



N-up enables you to print multiple pages on a single sheet of paper. This feature allows you to reduce the paper consumption.


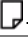
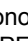
For more information, see the print driver's help.





# Specifications

This chapter lists the main specifications of the printer. Note that the specifications may change without prior notice.

Items	Description
Product Code	DocuPrint P205 b 220V: TL300620/TL300581/TL300621 DocuPrint P205 b 220V CHINA: TL300580 DocuPrint P205 b 110V: TL300618/TL300619
Type	Desktop
Printing method	LED Xerography <b>IMPORTANT:</b> <ul style="list-style-type: none"> <li>LED + LED electrophotographic system</li> </ul>
Fusing system	Thermal fusing system using a belt
Warm-up Time	Less than 25 seconds (after powering on at 20 °C temperature)
Continuous print speed <sup>*1</sup>	A4  : When plain paper is fed from the Multipurpose feeder (MPF) Monochrome 1 Sided <sup>*2</sup> : 24sheets/min <b>IMPORTANT:</b> *1 Print speed may decrease due to factors such as paper type, paper size, and printing conditions. *2 When continuously printing a single document of A4  .
First print	Monochrome 22 seconds (A4  /Fed from the Multipurpose feeder (MPF)) <b>IMPORTANT:</b> <ul style="list-style-type: none"> <li>Measurements based on Fuji Xerox test pattern. Time from printer startup until output of the first page is complete. Except the time when the printer controller receives or processes the print data.</li> </ul>
Resolution	Standard: 600 × 600 dpi High Resolution: 1200 × 1200 dpi* *: When printing in high resolution mode, printing speed may be reduced due to image quality adjustment. Printing speed may also be reduced depending on documents.
Tone	256 tones

Items	Description
Paper Size	<p>A4, B5, A5, Letter (8.5 × 11"), Executive (7.25 × 10.5"), Legal 13 (Folio) (8.5 × 13"), Legal 14 (8.5 × 14"), Statement, Envelope (Com-10, Monarch, DL, C5), Postcard (100 × 148 mm), Postcard (148 × 200 mm), Yougata 2, Yougata 3, Yougata 4, Yougata 6, Younaga 3, Nagagata 3, Nagagata 4, Kakugata 3, Custom Paper (Width: 76.2 – 215.9 mm, Length: 127 – 355.6 mm)</p> <p>Image loss: 4.0 mm from the top, bottom, left, and right edges</p>
Paper Type	<p>Plain, Lightweight Cardstock, Labels, Envelope, Recycled, Postcard JPN</p> <p><b>IMPORTANT:</b></p> <ul style="list-style-type: none"> <li>• Use only the recommended paper. Using paper other than that recommended for the printer can cause printing problems. For more information, see "<a href="#">Print Media That Can Damage Your Printer</a>" on page 58.</li> <li>• Note that poor printing quality due to paper-related printing problems can occur when using the printer in an environment that is dry, cold, or very humid.</li> <li>• Printing over the printed side or on the reverse side of paper that already has been printed on can result in poor print quality.</li> <li>• When printing on envelopes, use envelopes that do not have adhesive applied.</li> <li>• The type of paper being used and environmental conditions can affect printing quality. Because of this, it is recommended that you test print and confirm proper print quality before using the printer.</li> </ul>
Paper capacity	<p>Standard: Multipurpose feeder (MPF): 150 sheets</p> <p><b>IMPORTANT:</b></p> <ul style="list-style-type: none"> <li>• Fuji Xerox P paper (64 gsm)</li> </ul>
Output tray capacity	<p>Standard: approximately 100 sheets (face down)</p> <p><b>IMPORTANT:</b></p> <ul style="list-style-type: none"> <li>• Fuji Xerox P paper (64 gsm)</li> </ul>
2-sided Printing Feature	Standard (Manual)
CPU	4305/150MHz
Memory capacity	<p>Standard: 64MB (Onboard)</p> <p><b>IMPORTANT:</b></p> <ul style="list-style-type: none"> <li>• The above memory capacity does not guarantee print quality depending on the type and content of print data.</li> </ul>
Hard disk	—
Page Description Language	— (Host-based)
Supported OS <sup>*1</sup>	<p>Windows<sup>®</sup> XP, Windows<sup>®</sup> XP x64 Edition, Windows Vista<sup>®</sup>, Windows Vista<sup>®</sup> x64 Edition, Windows Server<sup>®</sup> 2003, Windows Server<sup>®</sup> 2003 x64 Edition, Windows Server<sup>®</sup> 2008, Windows Server<sup>®</sup> 2008 x64 Edition, Windows Server<sup>®</sup> 2008 R2 x64 Edition, Windows<sup>®</sup> 7, Windows<sup>®</sup> 7 x64 Edition, Mac OS<sup>®*2</sup></p> <p><b>IMPORTANT:</b></p> <p>*1 For the latest information about the supported operating systems, contact our Customer Support Center or your dealer.</p> <p>*2 Mac OS<sup>®</sup> X 10.4.11/10.5.8 - 10.6 are supported.</p>

Items	Description
Interface	Standard: USB 2.0 (Hi-Speed)* *: USB 2.0 is supported by the following: Windows® XP, Windows Server® 2003, Windows Vista®, Windows Server® 2008, Windows® 7, Windows® XP x64, Windows Server® 2003 x64, Windows Vista® x64, Windows Server® 2008 x64, Windows Server® 2008 R2 x64, Windows® 7 x64, and Mac OS® X 10.4.11/10.5.8 - 10.6.
Power	AC 110 - 127 V ± 10%; 8 A; both 50/60 Hz AC 220 - 240 V ± 10%; 4 A; both 50/60 Hz  <b>IMPORTANT:</b> <ul style="list-style-type: none"> <li>Maximum machine measured current</li> </ul>
Operating noise (main unit only)	During operation: 6.74B; 52 dB (A) During stand-by: 4.3 B; 15 dB (A)  <b>IMPORTANT:</b> <ul style="list-style-type: none"> <li>Measurements based on ISO7779                Unit B: acoustic power level (LwAd)                Unit dB (A): radiated sound pressure (bystander position)</li> </ul>
Power consumption	Maximum: 990 W, During the Sleep mode: 4.0 W or less Average: During standby: 62 W, During continuous monochrome printing: 380 W  <b>IMPORTANT:</b> <ul style="list-style-type: none"> <li>Low Power Mode: 7.8 W average</li> </ul>
Dimensions (main unit only)	358 (W) × 197 (D) <sup>*1</sup> × 208 (H) mm  <b>IMPORTANT:</b> <sup>*1</sup> When the Multipurpose feeder (MPF) is closed.
Weight	4.6 kg (including consumables)
Usage Environment	Temperature: 10 - 32 °C; Humidity: 10 - 85% (except malfunctions due to dew condensation) Non-Use: Temperature: -10 – 40 °C; Humidity: 5 – 85% (except malfunctions due to dew condensation)  <b>IMPORTANT:</b> <ul style="list-style-type: none"> <li>Until the conditions (temperature and humidity) inside the printer become acclimated to the installation environment, certain qualities of the paper can cause poor printing.</li> </ul>



# Basic Operation

This chapter includes:

- ["Main Components" on page 30](#)
- ["Turning On the Printer" on page 34](#)
- ["Power Saver Mode" on page 35](#)

# Main Components

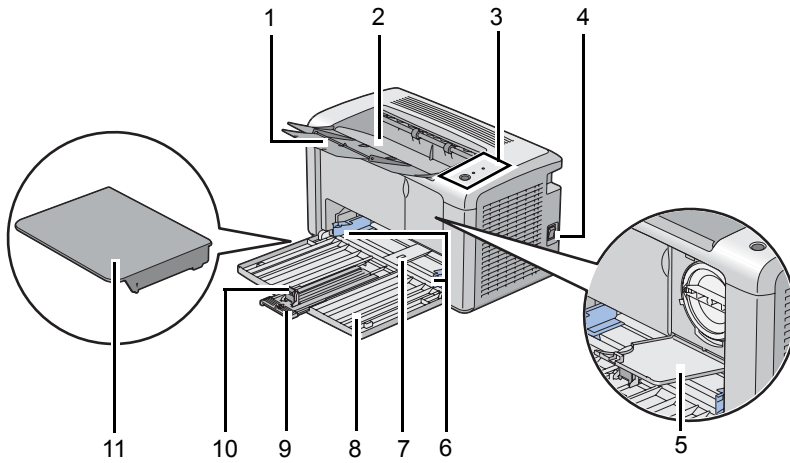
---

This section provides an overview of your DocuPrint P205 b.

This section includes:

- ["Front View" on page 31](#)
- ["Rear View" on page 32](#)
- ["Operator Panel" on page 33](#)

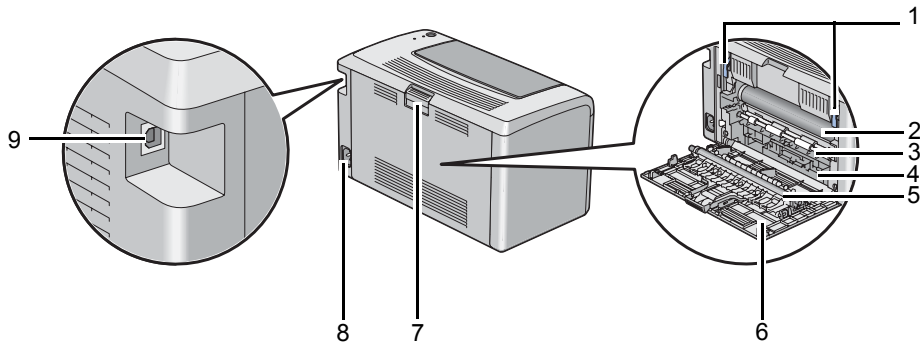
## ■ Front View



1	Output Tray Extension	2	Center Output Tray
3	Operator Panel	4	Power Switch
5	Toner Access Cover	6	Paper Width Guides
7	Multipurpose Feeder (MPF)	8	Front Cover
9	Slide Bar	10	Length Guide
11	Paper Cover		



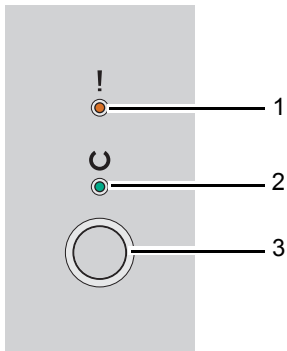
## ■ Rear View



1	Levers	2	Transfer Belt
3	Paper Feed Roller	4	Paper Chute
5	Transfer Roller	6	Rear Cover
7	Rear Cover Handle	8	Power Connector
9	USB Port		

## ■ Operator Panel

The operator panel has one button and two light-emitting diodes (LEDs) that show the status of the printer.



### 1 ! (Error) LED

- Indicates an error occurred.

### 2 ↻ (Ready) LED

- Indicates the printer status such as ready to print.

### 3 Button

- Press this button to start duplex printing after loading paper.
- Press and hold this button during printing to cancel a print job.
- Press this button to exit the Power Saver mode.
- Press this button to continue a pending job in an error state such as misfeeding after checking that paper is loaded properly.

The LEDs provide information on the status of the printer.

LED	Status	Condition
Error	Umber on	An error occurred.
	Umber blinks	A fatal error occurred.
Ready	Green on	The printer is ready to print.
	Green blinks	The printer is receiving, printing, or waiting for print data.
	Green blinks slowly	The printer is in the Power Saver mode.

### See also:

- ["Understanding the Operator Panel Lights" on page 93](#)

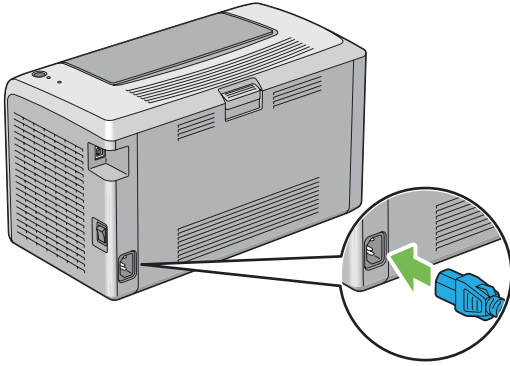
# Turning On the Printer

---

## IMPORTANT:

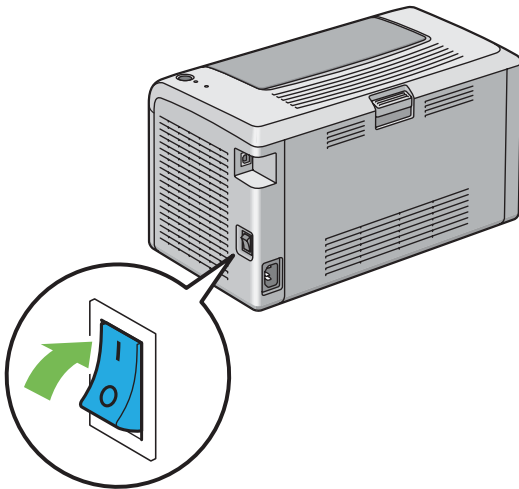
- Do not use extension cords or power strips.
- The printer should not be connected to an uninterruptible power supply (UPS) system.

1 Connect the power cord to the power connector on the rear of your printer.



2 Connect the other end of the cord to the power source.

3 Turn on the printer.



# Power Saver Mode

---

The printer has a power saving feature which reduces power consumption during periods of inactivity. This feature operates in two modes: the Low Power mode and Sleep mode. As delivered, the printer switches to the Low Power mode one minute after the last job is finished. The printer then switches to the Sleep mode after another 10 minutes of inactivity. In the Power Saver mode, the **○ (Ready)** LED blinks slowly.

The factory default settings of 1 minute (Low Power mode) and 10 minutes (Sleep mode) are changeable within the range of 1 - 30 minutes (Low Power mode) and 6 - 11 minutes (Sleep mode). The printer returns to the ready-to-print state in about 25 seconds when re-activated.

## ■ Setting the Time for the Power Saver Mode

You can specify the time for the Power Saver mode. The printer switches to the Power Saver mode after the specified time.

The following procedure uses Microsoft® Windows® XP as an example.

- 1 Click **start** → **All Programs** → **Fuji Xerox** → **Fuji Xerox Printer Software for Asia-Pacific** → **DocuPrint P205 b** → **Printer Setting Utility**.

### NOTE:

- The window to select a printer appears in this step, when multiple print drivers are installed on your computer. In this case, click the name of the desired printer listed in **Printer Name**.

The Printer Setting Utility appears.

- 2 Click the **Printer Maintenance** tab.
- 3 Select **System Settings** from the list at the left side of the page.  
The **System Settings** page is displayed.
- 4 Specify **Low Power Timer** and **Sleep Timer** in **Power Saver Timer**.
- 5 Click the **Apply New Settings** button to take effect.

## ■ Exiting the Power Saver Mode

The printer automatically exits the Power Saver mode when it receives a job from a computer. To manually exit the Power Saver mode, press the button on the operator panel.



# Printer Management Software

Use the *Software Pack CD-ROM* that is shipped with your printer to install a combination of software programs, depending on your operating system.

This chapter includes:

- ["Print Driver" on page 40](#)
- ["Printer Setting Utility \(Windows Only\)" on page 41](#)
- ["SimpleMonitor \(Windows Only\)" on page 42](#)
- ["Launcher \(Windows Only\)" on page 43](#)



# Print Driver

---

To access all of your printer's features, install the print driver from the *Software Pack CD-ROM*. The print driver enables your computer and printer to communicate and provides access to your printer features.

**See also:**

- ["Installing Print Driver on Computers Running Windows" on page 48](#)
- ["Installing Print Driver on Computers Running Mac OS X" on page 51](#)

# Printer Setting Utility (Windows Only)

---

The Printer Setting Utility allows you to view or specify the system settings. You can also diagnose the system settings by using the Printer Setting Utility.

The Printer Setting Utility consists of the **Printer Settings Report**, **Printer Maintenance**, and **Diagnosis** tabs.

The Printer Setting Utility can be installed from the *Software Pack CD-ROM*.

# SimpleMonitor (Windows Only)

---

You can check the printer status with the SimpleMonitor. Double-click the SimpleMonitor printer icon on the taskbar at the bottom right of the screen. The **Printer Selection** window appears, which displays the printer name, printer connection port, and printer status. Check the column **Status** to know the current status of your printer.

**Settings** button: Displays the **Settings** screen and allows you to modify the SimpleMonitor settings.

Click the name of the desired printer listed on the **Printer Selection** window. The **Printer Status** window appears.

The **Printer Status** window alerts you when there is a warning or when an error occurs, for example, when a paper jam occurs or toner is running low.

By default, the **Printer Status** window launches automatically when an error occurs. You can specify the conditions for starting the **Printer Status** window in **Printer Status Window Properties**.

To change the pop-up settings for the **Printer Status** window:

- 1 Right-click the SimpleMonitor printer icon on the taskbar at the bottom right of the screen.
- 2 Select **Printer Status Window Properties**.  
The **Printer Status Window Properties** window appears.
- 3 Select the type of the pop-up and then click **OK**.

You can also check the toner level of your printer on the **Printer Status** window.

The SimpleMonitor can be installed from the *Software Pack CD-ROM*.

# Launcher (Windows Only)

Using the **Launcher** window, you can open the **Status Window**, **Printer Setting Utility**, and **Troubleshooting**.

The following procedure uses Microsoft® Windows® XP as an example.

To open the **Launcher** window:

- 1 Click **start** → **All Programs** → **Fuji Xerox** → **Fuji Xerox Printer Software for Asia-Pacific** → **DocuPrint P205 b** → **Launcher**.

The **Launcher** window appears.



- 2 The **Launcher** window provides three buttons; **Status Window**, **Printer Setting Utility**, and **Troubleshooting**.

To exit, click the **X** button at the top-right of the window.

For details, click the **Help** button/icon of each application.

<b>Status Window</b>	Click to open the <b>Printer Status</b> window.  <b>See also:</b> <ul style="list-style-type: none"><li>• <a href="#">"SimpleMonitor (Windows Only)" on page 42</a></li></ul>
<b>Printer Setting Utility</b>	Click to open the Printer Setting Utility.  <b>See also:</b> <ul style="list-style-type: none"><li>• <a href="#">"Printer Setting Utility (Windows Only)" on page 41</a></li></ul>
<b>Troubleshooting</b>	Click to open the Troubleshooting guide, which allows you to resolve issues by yourself.

The Launcher can be installed from the *Software Pack CD-ROM*.



# Installing the Print Driver

This chapter includes:

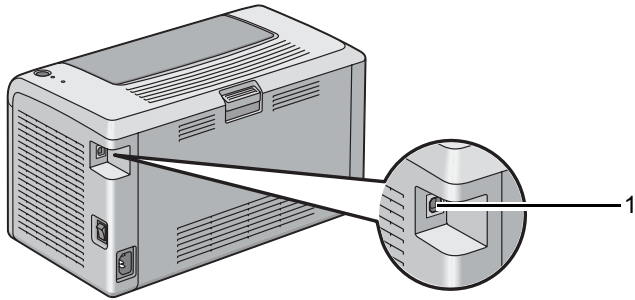
- ["Connecting Your Printer" on page 46](#)
- ["Installing Print Driver on Computers Running Windows" on page 48](#)
- ["Installing Print Driver on Computers Running Mac OS X" on page 51](#)

# Connecting Your Printer

---

Your DocuPrint P205 b interconnection cable must meet the following requirement:

Connection Type	Connection Specifications
USB	USB 2.0 compatible



---

1 USB Port



## ■ Connecting Printer to Computer

Connect the printer via USB. A USB connection is a direct connection and is not used for networking. The available feature is shown in the following table.

Connection Type	Available Feature
USB	You can instruct print jobs from a computer.

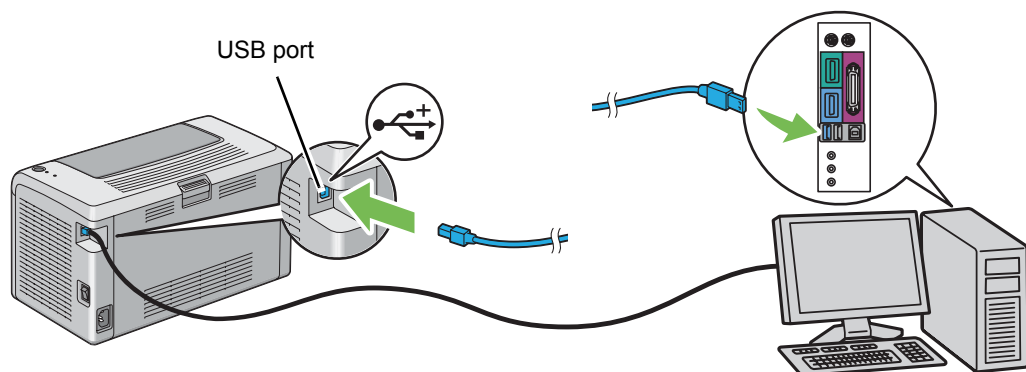
### USB Connection

The following operating systems support USB connection:

- Microsoft® Windows® XP
- Windows XP 64-bit Edition
- Windows Server® 2003
- Windows Server 2003 x64 Edition
- Windows Server 2008
- Windows Server 2008 64-bit Edition
- Windows Server 2008 R2
- Windows Vista®
- Windows Vista 64-bit Edition
- Windows 7
- Windows 7 64-bit Edition
- Mac OS® X 10.4.11/10.5.8 - 10.6

To attach the printer to a computer:

- 1 Ensure that the printer and computer are turned off and unplugged from the power source/outlet.
- 2 Connect the smaller USB connector into the USB port at the back of the printer and the other end of the cable into the USB port of the computer.



#### NOTE:

- Do not connect the printer USB cable to the USB connector available on the keyboard.



# Installing Print Driver on Computers Running Windows

---

This section includes:

- ["Inserting the Software Pack CD-ROM" on page 49](#)
- ["USB Connection Setup" on page 50](#)

## ■ Inserting the Software Pack CD-ROM

- 1 Insert the *Software Pack CD-ROM* into your computer's CD-ROM drive to start **Easy Install Navi**.

### NOTE:

- If the CD does not automatically launch, click **Start** (**start** for Windows XP) → **All Programs** (for Windows Vista and Windows 7) → **Accessories** (for Windows Vista and Windows 7) → **Run**, and then enter **D:\setup.exe** (where D is the drive letter of your CD), and then click **OK**.

## ■ USB Connection Setup

The following procedure uses Windows XP as an example.

- 1 Click **Installing Driver and Software**.
- 2 Select **Personal Installation**, and then click **Next**.
- 3 Follow the on-screen instructions.

The Plug and Play installation starts and the installation software proceeds to the next page automatically.

### NOTE:

- If the installation software does not automatically proceed to the next page, click **Install**.
- 4 Select **Typical Installation(recommended)** to perform the standard installation, and then click **Install**.  
For the custom installation, select **Custom Installation**, and then click **Next**. Select the items that you want to install, and then click **Install**.
  - 5 Click **Finish** to exit the wizard. If necessary, click **Print Test Page** to print a test page.

# Installing Print Driver on Computers Running Mac OS X

---

This section includes:

- ["Installing the Driver" on page 52](#)

## ■ Installing the Driver

The following procedure uses Mac OS X 10.6 as an example.

- 1 Run the *Software Pack CD-ROM* on the Mac OS X.
- 2 Double-click the **DocuPrint P205 b** icon.
- 3 Click **Continue** on the **Introduction** screen.
- 4 Select a language for the **Software License Agreement**.
- 5 After reading the **Software License Agreement**, click **Continue**.
- 6 If you agree to the terms of the **Software License Agreement**, click **Agree** to continue the installation process.
- 7 Click **Install** to perform the standard installation.  
If you want to change the installation location, click **Change Install Location**.
- 8 Enter the administrator's name and password, and then click **OK**.
- 9 Click **Close** to complete the installation.

## Adding a Printer on Mac OS X 10.5.8/10.6 or Later Version(s)

- 1 Turn off the printer and your computer.
- 2 Connect the printer and your computer with the USB cable.
- 3 Turn on the printer and your computer.
- 4 Display the **System Preferences**, and then click **Print & Fax**.
- 5 Confirm your USB printer is added to **Print & Fax** in **System Preferences**.  
If your USB printer is not displayed, execute the following procedures.
- 6 Click **+**, and then click **Default**.
- 7 Select the printer connected via USB from the **Printer Name** list.  
**Name**, **Location**, and **Print Using** are automatically entered.
- 8 Click **Add**.

## Adding a Printer on Mac OS X 10.4.11

- 1 Turn off the printer and your computer.
- 2 Connect the printer and your computer with the USB cable.
- 3 Turn on the printer and your computer.
- 4 Start **Printer Setup Utility**.

### NOTE:

- You can find **Printer Setup Utility** in the **Utilities** folder in **Applications**.

- 5 Confirm your USB printer is added to **Printer List**.  
If your USB printer is not displayed, execute the following procedures.
- 6 Click **Add**.
- 7 Click **Default Browser** in the **Printer Browser** dialog box.
- 8 Select the printer connected via USB from the **Printer Name** list.  
**Name**, **Location** and **Print Using** are automatically entered.
- 9 Click **Add**.



# Printing Basics

This chapter includes:

- ["About Print Media" on page 56](#)
- ["Supported Print Media" on page 60](#)
- ["Loading Print Media" on page 63](#)
- ["Printing" on page 78](#)



# About Print Media

---

This section includes:

- ["Print Media Usage Guidelines" on page 57](#)
- ["Print Media That Can Damage Your Printer" on page 58](#)
- ["Print Media Storage Guidelines" on page 59](#)

Using paper that is not appropriate for the printer can cause paper jams, image quality problems, or printer failure. To achieve the best performance from your printer, we recommend you to use only the paper described in this section.

When using paper other than that recommended, contact the Fuji Xerox local representative office or an authorized dealer.

## ■ Print Media Usage Guidelines

The printer tray accommodates most sizes and types of paper and other specialty media. Follow these guidelines when loading paper and media in the tray:

- Before buying large quantities of any print media, it is recommended that you try a sample first.
- For 60 to 135 gsm (16 to 36 lb bond) paper, grain long, where the paper fibers run along the length of the paper, is recommended. For paper heavier than 135 gsm (36 lb bond), grain short, where the paper fibers run along the width of the paper, is preferred.
- Fan paper or other specialty media before loading in the paper tray.
- Do not print on label stock once a label has been removed from a sheet.
- Use only paper envelopes. Do not use envelopes with windows, metal clasps, or adhesives with release strips.
- Print all envelopes single-sided only.
- Some wrinkling and embossing may occur when printing envelopes.
- Do not overload the paper tray. Do not load print media above the fill line on the inside of the paper width guides.
- Adjust the paper width guides to fit the paper size.
- If excessive jams or wrinkles occur, use paper or other media from a new package.



### **WARNING:**

- **Do not use conductive paper such as origami paper, carbonic paper or conductively-coated paper. When paper jam occurs, it may cause short-circuit and eventually a fire accident.**

### **See also:**

- ["Loading Print Media in the Multipurpose Feeder \(MPF\)" on page 66](#)
- ["Loading Envelope in the Multipurpose Feeder \(MPF\)" on page 69](#)
- ["Printing on Custom Size Paper" on page 86](#)

## ■ Print Media That Can Damage Your Printer

Your printer is designed to use a variety of media types for print jobs. However, some media can cause poor output quality, increased paper jams, or damage to your printer.

Unacceptable media includes:

- Paper that is too heavyweight or too lightweight (less than 60 gsm or more than 190 gsm)
- Transparencies
- Photo paper or coated paper
- Tracing paper
- Illumination film
- Special ink jet printer paper and ink jet transparencies
- Static-cling paper
- Pasted-up or glued paper
- Specially coated paper
- Color paper with surface treatments
- Paper that uses ink that deteriorates with heat
- Photosensitive paper
- Carbon paper or carbonless copy paper
- Paper with a rough surface, such as Japanese paper, pulp paper or fibrous paper
- Envelopes that are not flat, or that have clasps, windows or adhesives with release strips
- Padded envelopes
- Tack film
- Water transfer paper
- Textile transfer paper
- Perforated paper
- Leather paper, embossed paper
- Conductive paper such as origami paper, carbonic paper or conductively-coated paper
- Wrinkled, creased, folded, or ripped paper
- Damp or wet paper
- Wavy or curled paper
- Paper with staples, clips, ribbons, or tape
- Label paper with some labels already peeled off, or that are partially cut off
- Paper pre-printed by another printer or copier
- Paper pre-printed all over rear side



### **WARNING:**

- **Do not use conductive paper such as origami paper, carbonic paper or conductively-coated paper. When paper jam occurs, it may cause short-circuit and eventually a fire accident.**

## ■ Print Media Storage Guidelines

Providing good storage conditions for your paper and other media contributes to optimum print quality.

- Store print media in dark, cool, relatively dry locations. Most paper items are susceptible to damage from ultraviolet (UV) and visible light. UV radiation, which is emitted by the sun and fluorescent bulbs, is particularly damaging to paper items. The intensity and length of exposure to visible light on paper items should be reduced as much as possible.
- Maintain constant temperatures and relative humidity.
- Avoid attics, kitchens, garages, and basements for storing print media.
- Store print media flat. Print media should be stored on pallets, cartons, shelves, or in cabinets.
- Avoid having food or drinks in the area where print media is stored or handled.
- Do not open sealed packages of paper until you are ready to load them into the printer. Leave paper in the original packaging. For most commercial cut-size grades, the ream wrapper contains an inner lining that protects the paper from moisture loss or gain.
- Leave the media inside the bag until you are ready to use it; reinsert unused media in the bag and reseal it for protection. Some specialty media is packaged inside resealable plastic bags.

# Supported Print Media

---

Using unsuitable print media may lead to paper jams, poor print quality, breakdown and damage to your printer. To use the features of this printer effectively, use the suggested print media that is recommended here.

## **IMPORTANT:**

- The toner may come off the print media, if it gets wet by water, rain, steam and so on. For details, contact the Fuji Xerox local representative office or an authorized dealer.

## ■ Usable Print Media

The types of print media that can be used on this printer are as follows:

Paper Size	A4 SEF (210 × 297 mm) B5 SEF (182 × 257 mm) A5 SEF (148 × 210 mm) Letter SEF (8.5 × 11 inches) Executive SEF (7.25 × 10.5 inches) Legal 13 (Folio) SEF (8.5 × 13 inches) Legal 14 SEF (8.5 × 14 inches) Statement SEF (139.7 × 215.9 mm) Envelope Com-10 SEF (4.125 × 9.5 inches) Envelope Monarch SEF (3.875 × 7.5 inches) Envelope Monarch LEF (7.5 × 3.875 inches)* Envelope DL SEF (110 × 220 mm) Envelope DL LEF (220 × 110 mm)* Envelope C5 SEF (162 × 229 mm) Postcard (100 × 148 mm) Postcard (148 × 200 mm) Yougata 2 SEF (114 × 162 mm) Yougata 2 LEF (162 × 114 mm)* Yougata 3 SEF (98 × 148 mm) Yougata 3 LEF (148 × 98 mm)* Yougata 4 (105 × 235 mm) Yougata 6 (98 × 190 mm) Younaga 3 (120 × 235 mm) Nagagata 3 (120 × 235 mm) Nagagata 4 (90 × 205 mm) Kakugata 3 (216 × 277 mm) Custom size: Width: 76.2–215.9 mm (3–8.5 inches) Length: 127–355.6 mm (5–14 inches)
Paper Type (Weight)	Plain Lightweight Cardstock Labels Envelope Recycled Postcard JPN
Loading Capacity	150 sheets of standard paper

\* Monarch, DL, Yougata 2, and Yougata 3 envelopes can be supported by LEF with their flap open.

### NOTE:

- SEF and LEF indicate the paper feed direction; SEF stands for short-edge feed. LEF stands for long-edge feed.

- Use only laser print media. Do not use ink jet paper in this printer.

**See also:**

- ["Loading Print Media in the Multipurpose Feeder \(MPF\)" on page 66](#)
- ["Loading Envelope in the Multipurpose Feeder \(MPF\)" on page 69](#)

Printing on print media that differs from the paper size or paper type selected on the print driver may lead to paper jams. To ensure that printing is correctly done, select the correct paper size and paper type.

# Loading Print Media

---

Loading print media properly helps prevent jams and ensures trouble-free printing.

Before loading print media, identify the recommended print side of the print media. This information is usually on the print media package.

**NOTE:**

- After loading paper in the feeder, specify the same paper type on the print driver.



## ■ Capacity

Multipurpose feeder (MPF) can hold:

- 150 sheets of standard paper
- 16.2 mm (0.64 inches) of thick paper
- One sheet of coated paper
- 16.2 mm (0.64 inches) of post cards
- Five envelopes
- 16.2 mm (0.64 inches) of labels

## ■ Print Media Dimensions

The multipurpose feeder (MPF) accepts print media within the following dimensions:

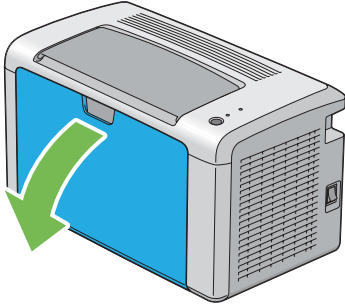
- Width: 76.2–215.9 mm (3.00–8.50 inches)
- Length: 127–355.6 mm (5.00–14.00 inches)

## ■ Loading Print Media in the Multipurpose Feeder (MPF)

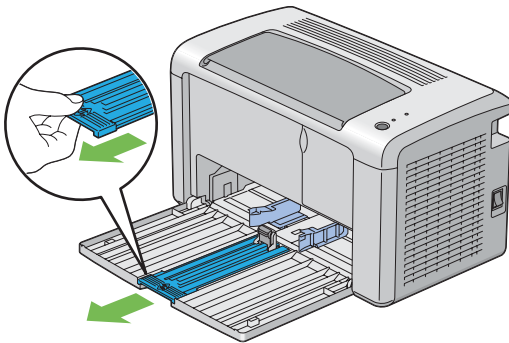
### NOTE:

- To avoid paper jams, do not remove the paper cover while printing is in progress.
- Use only laser print media. Do not use ink jet paper in this printer.

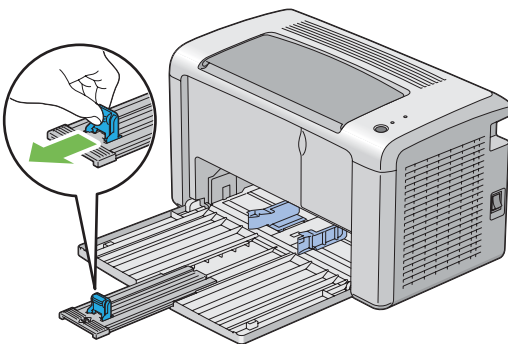
- 1 Open the front cover.



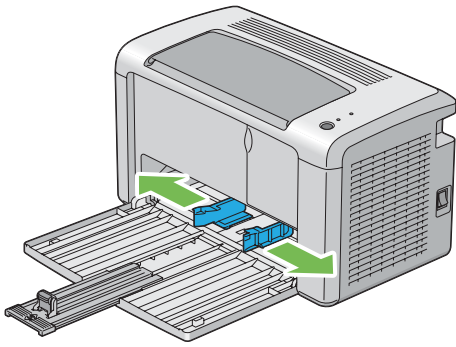
- 2 Pull the slide bar forward until it stops.



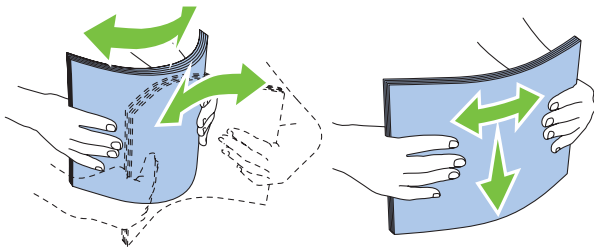
- 3 Pull the length guide forward until it stops.



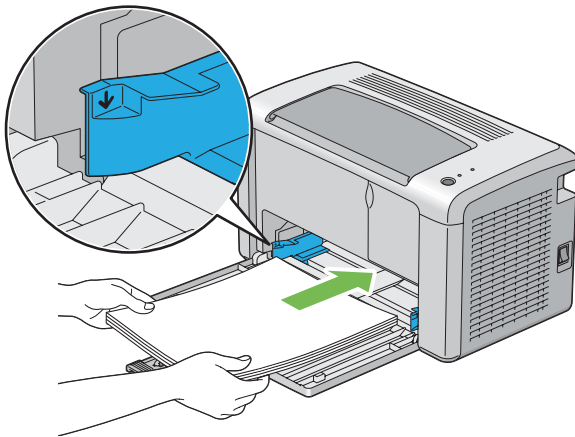
- 4 Adjust the paper width guides to their maximum width.



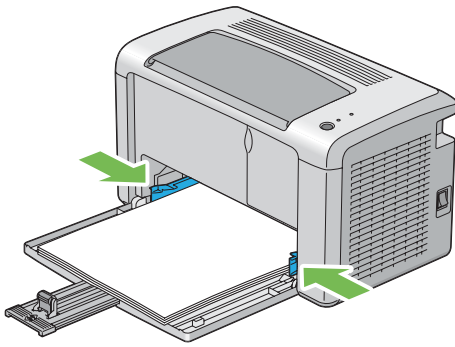
- 5** Before loading the print media, flex the sheets back and forth, and then fan them. Straighten the edges of the stack on a level surface.



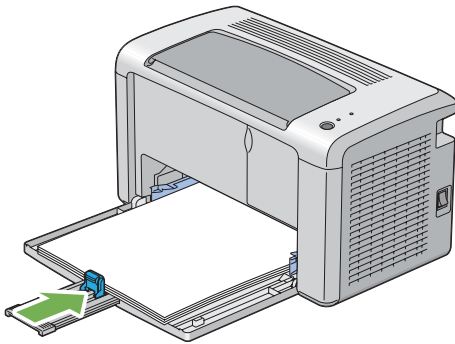
- 6** Load print media on the multipurpose feeder (MPF) with the top edge first and with the recommended print side facing up.



- 7** Adjust the paper width guides until they rest lightly against the edges of the stack of print media.

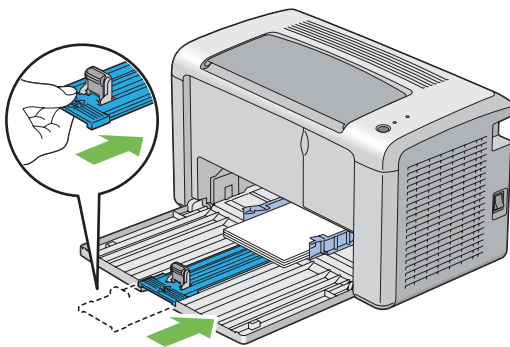


- 8 Slide the length guide towards the printer until it touches the print media.

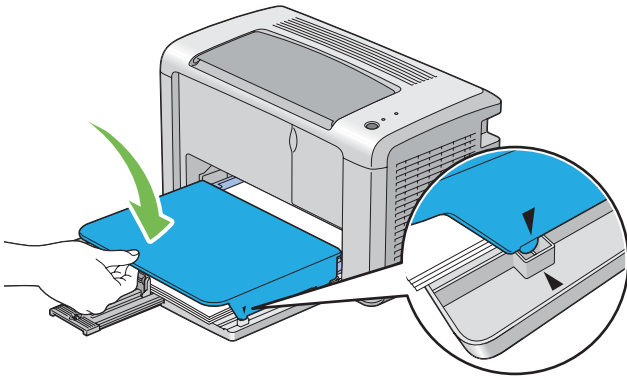


**NOTE:**

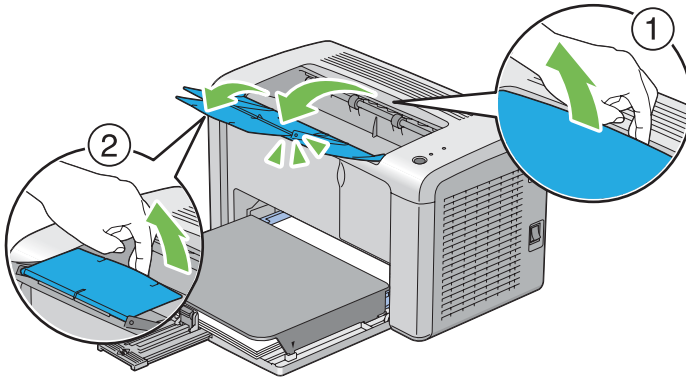
- Depending on the size of print media, first slide the slide bar backward until it stops, and then pinch the length guide and slide it backward until it touches print media.



- 9 Insert the paper cover into the printer and then align the paper cover to the marking on the paper tray.



**10** Open the output tray extension by two steps. At the secondary step, extend it fully until it clicks.



**11** Select the paper type from the print driver if the loaded print media is not standard plain paper. If a user-specified print media is loaded in the multipurpose feeder (MPF), you must specify the paper size setting by using the print driver.

**NOTE:**

- For more information about setting the paper size and type on the print driver, refer to the online Help provided for the print driver.

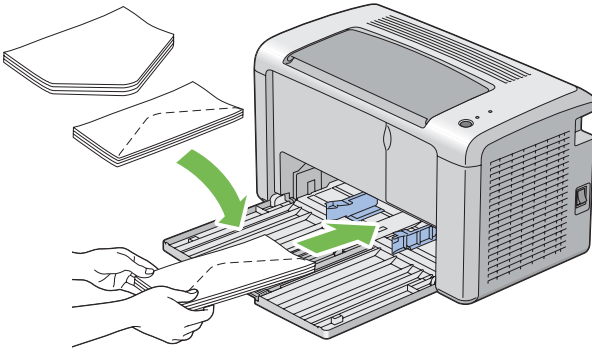
## Loading Envelope in the Multipurpose Feeder (MPF)

**NOTE:**

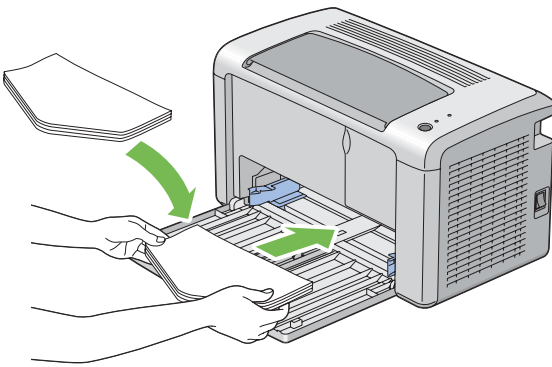
- When you print on envelopes, be sure to specify the envelope setting on the print driver. If not specified, the print image will be rotated 180 degrees.

## • When Loading Com-10, DL, Monarch, Yougata 2/3/4/6, or Younaga 3

Load envelopes with the side to be printed on facing up, the flap side facing down, and the flap turned to the right.



To prevent DL, Monarch, Yougata 2, and Yougata 3 from being wrinkled, they are recommended to be loaded with the print-side facing up, flap opened, and facing you.

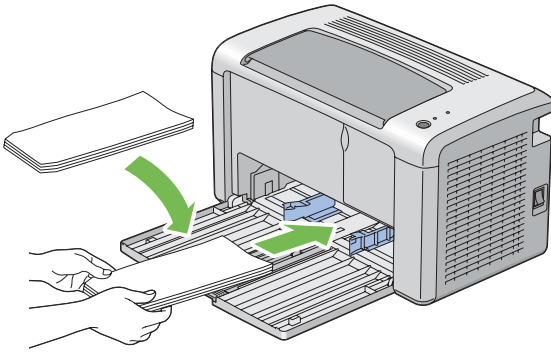


### NOTE:

- When you load the envelopes in the long-edge feed (LEF) orientation, be sure to specify the landscape orientation on the print driver.

## • When Loading C5, Nagagata 3/4 or Kakugata 3

Load envelopes with the side to be printed on facing up, flap opened, and facing you.

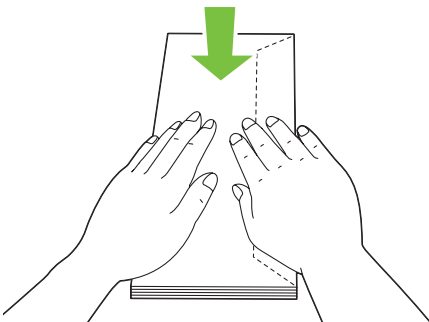


### IMPORTANT:

- Never use envelopes with windows, or coated linings. These lead to paper jams and can cause damage to the printer.

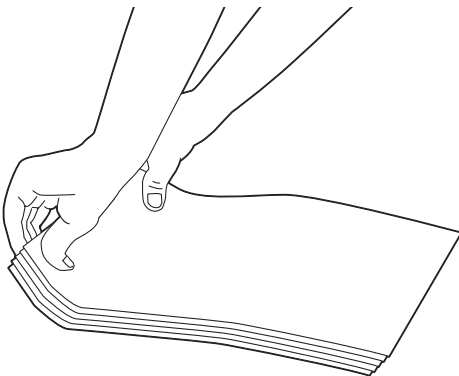
### NOTE:

- If you do not load envelopes in the multipurpose feeder (MPF) right after they have been removed from the packaging, they may bulge. To avoid jams, flatten them as shown below when loading them in the multipurpose feeder (MPF).

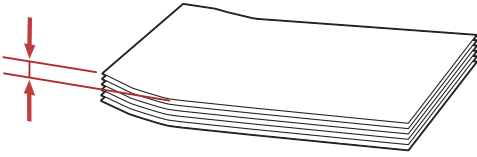


- If envelopes are still not fed correctly, add some bending to the flap of the envelopes as shown in the following illustration.

The amount of the bending shall be 5 mm (0.20 inches) or less.







- To confirm the correct orientation of each print media such as envelopes, see the instruction on the Envelope/Paper Setup Navigator on the print driver.

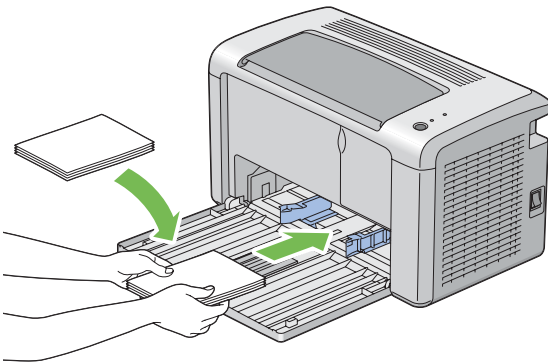
## Loading Postcard in the Multipurpose Feeder (MPF)

### NOTE:

- When you print on postcards, be sure to specify the postcard setting on the print driver to get the optimum print result.

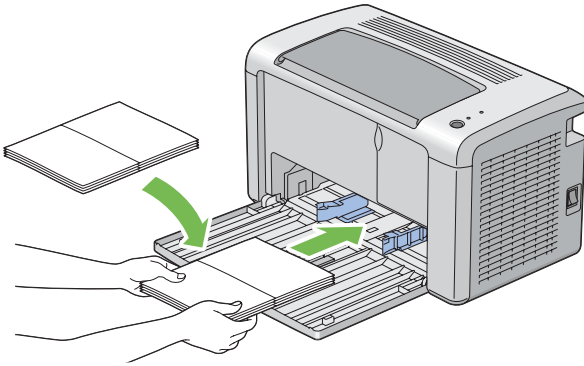
### • When Loading Postcard

Load the postcard with the side to be printed on facing up, and the top edge of the postcard in first.



## • When Loading W-Postcard

Load the w-postcard with the side to be printed on facing up, and the left edge of the w-postcard in first.



### NOTE:

- To confirm the correct orientation of each print media such as postcards, see the instruction on the Envelope/Paper Setup Navigator on the print driver.

## ■ Manual Duplex Printing (Windows Print Driver Only)

This section includes:

- ["Operations on Your Computer" on page 75](#)
- ["Loading Print Media in the Multipurpose Feeder \(MPF\)" on page 76](#)

### NOTE:

- When printing on curled paper, straighten the paper and then insert it into the feeder.

When you start manual duplex printing, the instruction window appears. Note that the window cannot be reopened once it is closed. Do not close the window until duplex printing is complete.

# Operations on Your Computer

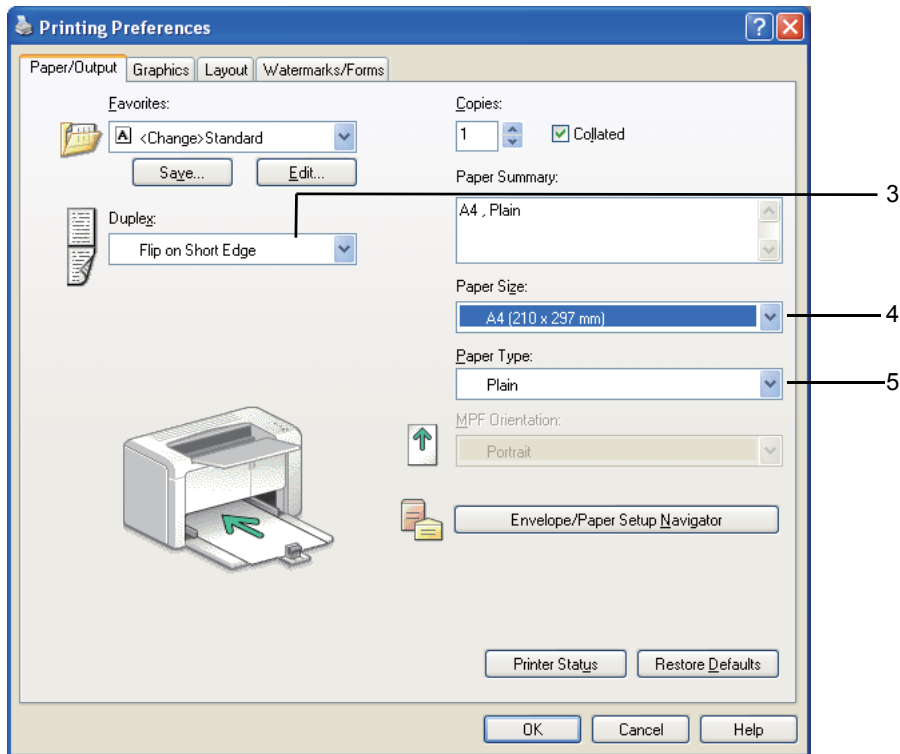
The following procedure uses Microsoft® Windows® XP WordPad as an example.

## NOTE:

- The way to display the printer **Properties/Printing Preferences** dialog box differs according to the application software. Refer to the manual of your respective application software.

- 1 From the **File** menu, select **Print**.
- 2 Select the printer from the **Select Printer** list box, and then click **Preferences**.
- 3 Select the **Paper/Output** tab.

From **Duplex**, select either **Flip on Short Edge** or **Flip on Long Edge** to define the way 2-sided print pages are bound.



- 4 From **Paper Size**, select the size of the document to be printed.
- 5 From **Paper Type**, select the paper type to be used.
- 6 Click **OK** to close the **Printing Preferences** dialog box.
- 7 Click **Print** in the **Print** dialog box to start printing.

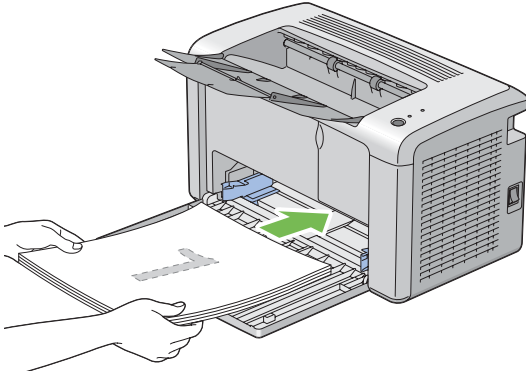
## IMPORTANT:

- When you start manual duplex printing, the instruction window appears. Note that the window cannot be reopened once it is closed. Do not close the window until duplex printing is complete.

## Loading Print Media in the Multipurpose Feeder (MPF)

- 1 First print the even pages (rear sides).

For a six page document, rear sides are printed in the order of page 6, page 4, and then page 2. The ! (**Error**) LED lights and the ◡ (**Ready**) LED blinks when the even pages finish printing.

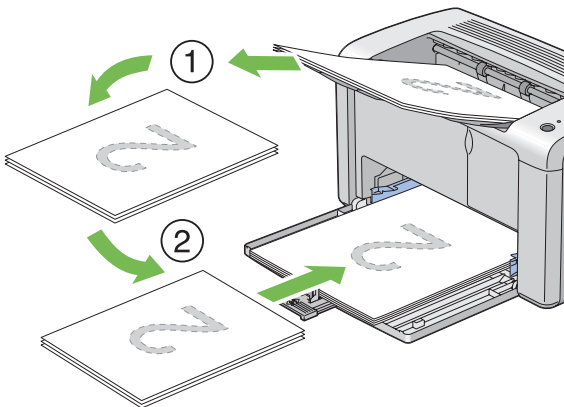


- 2 After the even pages are printed, remove the paper stack from the center output tray.

### NOTE:

- Warped or curled prints can cause paper jams. Straighten them before setting them.

- 3 Stack the prints and set them as they are (with the blank side facing up) into the multipurpose feeder (MPF), and then press the button on the operator panel. Pages are printed in order of page 1 (rear of page 2), page 3 (rear of page 4), and then page 5 (rear of page 6).



### NOTE:

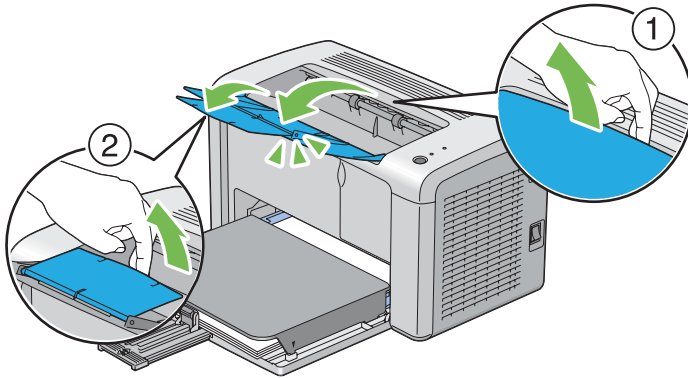
- Printing on both sides of the paper is not possible if the document consists of various sizes of paper.

## ■ Using the Output Tray Extension

The output tray extension is designed to prevent print media from falling from the printer after the print job is complete.

Before printing a document, ensure that the output tray extension is fully opened.

The output tray extension is opened by two steps. At the secondary step, extend it fully until it clicks.



# Printing

---

This section covers how to print certain lists of information from your printer and how to cancel a job.

This section includes:

- ["Sending a Job to Print" on page 79](#)
- ["Canceling a Print Job" on page 80](#)
- ["Selecting Printing Options" on page 81](#)
- ["Printing Custom Size Paper" on page 86](#)
- ["Checking Status of Print Data" on page 88](#)
- ["Printing a Report Page" on page 89](#)
- ["Printer Settings" on page 90](#)

## ■ Sending a Job to Print

Install the print driver to use all the features of the printer. When you choose **Print** from a software program, a window representing the print driver opens. Select the appropriate settings for the specific job you are sending to print. Print settings selected from the driver have precedence over the default menu settings selected from the Printer Setting Utility.

You may need to click **Preferences** from the initial **Print** dialog box to see all the available system settings you can change. If you are not familiar with a feature in the print driver window, open the online Help for more information.

To print a job from a typical Windows application:

- 1 Open the file you want to print.
- 2 From the **File** menu, select **Print**.
- 3 Verify that the correct printer is selected in the dialog box. Modify the system settings as needed (such as the pages you want to print or the number of copies).
- 4 To adjust system settings not available from the first screen, such as **Image Quality**, **Paper Size**, or **Image Orientation**, click **Preferences**.  
The **Printing Preferences** dialog box appears.
- 5 Specify the print settings. For more information, click **Help**.
- 6 Click **OK** to close the **Printing Preferences** dialog box.
- 7 Click **Print** to send the job to the selected printer.



## ■ Canceling a Print Job

There are several methods for canceling a print job.

This section includes:

- "Canceling From the Operator Panel" on page 80
- "Canceling a Job From the Computer Running Windows" on page 80

### Canceling From the Operator Panel

To cancel a job after it has started printing:

- 1 Press the button on the operator panel for about three seconds.

**NOTE:**

- Printing is canceled only for the current job. All the following jobs will continue to print.

### Canceling a Job From the Computer Running Windows

#### • Canceling a Job From the Taskbar

When you send a job to print, a small printer icon appears in the right corner of the taskbar.

- 1 Double-click the printer icon.  
A list of print jobs appears in the printer window.
- 2 Select the job you want to cancel.
- 3 Press the **Delete** key.
- 4 Click **Yes** on the **Printers** dialog box to cancel a print job.

#### • Canceling a Job From the Desktop

- 1 Click **start** → **Printers and Faxes** (for Windows XP).  
Click **Start** → **Printers and Faxes** (for Windows Server<sup>®</sup> 2003).  
Click **Start** → **Devices and Printers** (for Windows 7 and Windows Server 2008 R2).  
Click **Start** → **Control Panel** → **Hardware and Sound** → **Printers** (for Windows Vista<sup>®</sup> and Windows Server 2008).  
A list of available printers appears.
- 2 Double-click the printer you selected when you sent the job.  
A list of print jobs appears in the printer window.
- 3 Select the job you want to cancel.
- 4 Press the **Delete** key.
- 5 Click **Yes** on the **Printers** dialog box to cancel a print job.

## ■ Selecting Printing Options

This section includes:

- "Selecting Printing Preferences (Windows)" on page 81
- "Selecting Options for an Individual Job (Windows)" on page 82
- "Selecting Options for an Individual Job (Mac OS X)" on page 84

### Selecting Printing Preferences (Windows)

Printer preferences control all of your print jobs, unless you override them specifically for a job. For example, if you want to use duplex printing for most jobs, set this option in printer settings.

To select printer preferences:

- 1** Click **start** → **Printers and Faxes** (for Windows XP).  
Click **Start** → **Printers and Faxes** (for Windows Server 2003).  
Click **Start** → **Devices and Printers** (for Windows 7 and Windows Server 2008 R2).  
Click **Start** → **Control Panel** → **Hardware and Sound** → **Printers** (for Windows Vista and Windows Server 2008).  
A list of available printers appears.
- 2** Right-click the icon for your printer, and then click **Printing Preferences**.  
The **FX DocuPrint P205 b Printing Preferences** screen appears.
- 3** Make selections on the driver tabs, and then click **OK** to save your selections.

#### NOTE:

- For more information about Windows print driver options, click **Help** on the print driver tab to view the online Help.

## Selecting Options for an Individual Job (Windows)

If you want to use special printing options for a particular job, change the driver settings before sending the job to the printer. For example, if you want to use Photo print-quality mode for a particular graphic, select this setting in the driver before printing that job.

- 1 With the desired document or graphic open in your application, access the **Print** dialog box.
- 2 Select the **FX DocuPrint P205 b** and click **Preferences** to open the print driver.
- 3 Make selections on the driver tabs. See the following table for specific printing options.

### NOTE:

- In Windows, you can save current printing options with a distinctive name and apply them to other print jobs. Make selections on the **Paper/Output**, **Graphics**, **Layout**, **Watermarks/Forms** tab, and then click **OK** under **Save** on the **Paper/Output** tab. Click **Help** for more information.

- 4 Click **OK** to save your selections.
- 5 Print the job.

See the following table for specific printing options:

### Printing Options for Windows

<b>Operating System</b>	<b>Driver Tab</b>	<b>Printing Options</b>
Windows XP, Windows XP x 64bit, Windows Server 2003, Windows Server 2003 x 64bit, Windows Vista, Windows Vista x 64bit, Windows Server 2008, Windows Server 2008 x 64bit, Windows Server 2008 R2, Windows 7, or Windows 7 x 64bit	<b>Paper/Output tab</b>	<ul style="list-style-type: none"> <li>• Favorites</li> <li>• Duplex</li> <li>• Copies</li> <li>• Collated</li> <li>• Paper Summary</li> <li>• Paper Size</li> <li>• Paper Type</li> <li>• MPF Orientation</li> <li>• Envelope/Paper Setup Navigator</li> <li>• Printer Status</li> <li>• Restore Defaults</li> </ul>
	<b>Graphics tab</b>	<ul style="list-style-type: none"> <li>• Image Quality</li> <li>• Toner Saving Mode</li> <li>• Image Enhancement</li> <li>• Screen</li> <li>• Image Settings <ul style="list-style-type: none"> <li>– Apply to All Elements</li> <li>– Apply to Selected Element</li> <li>– Brightness</li> <li>– Contrast</li> </ul> </li> <li>• Restore Defaults</li> </ul>
	<b>Layout tab</b>	<ul style="list-style-type: none"> <li>• Image Orientation</li> <li>• Multiple Up</li> <li>• Poster/Mixed Document</li> <li>• Output Size</li> <li>• Reduce / Enlarge</li> <li>• Margin Shift/Margin</li> <li>• Restore Defaults</li> </ul>
Windows XP, Windows Server 2003, Windows Vista, Windows Server 2008, or Windows 7	<b>Watermarks/Forms tab</b>	<ul style="list-style-type: none"> <li>• Watermarks <ul style="list-style-type: none"> <li>– New Text</li> <li>– New Bitmap</li> <li>– Edit</li> <li>– Delete</li> <li>– First Page Only</li> </ul> </li> <li>• Forms <ul style="list-style-type: none"> <li>– Off</li> <li>– Create / Register Forms</li> <li>– Image Overlay</li> </ul> </li> <li>• Header / Footer Options</li> <li>• Restore Defaults</li> </ul>

## Selecting Options for an Individual Job (Mac OS X)

To select print settings for a particular job, change the driver settings before sending the job to the printer.

- 1 With the document open in your application, click **File**, and then click **Print**.
- 2 Select **FUJI XEROX DocuPrint P205 b** from **Printer**.
- 3 Select the desired printing options from the menus and drop-down lists that are displayed.

### NOTE:

- In Mac OS® X, click **Save As** on the **Presets** menu screen to save the current printer settings. You can create multiple presets and save each with its own distinctive name and printer settings. To print jobs using specific printer settings, click the applicable saved preset in the **Presets** list.

- 4 Click **Print** to print the job.

Mac OS X Print Driver Printing Options:

The table shown below uses Mac OS X 10.6 TextEdit as an example.

### Printing options for Mac OS X

Item	Printing Options
	<ul style="list-style-type: none"><li>• Copies</li><li>• Collated</li><li>• Pages</li><li>• Paper Size</li><li>• Orientation</li></ul>
Layout	<ul style="list-style-type: none"><li>• Pages per Sheet</li><li>• Layout Direction</li><li>• Border</li><li>• Two-Sided</li><li>• Reverse page orientation</li><li>• Flip horizontally</li></ul>
Color Matching	<ul style="list-style-type: none"><li>• ColorSync</li><li>• Vendor Matching</li><li>• Profile</li></ul>
Paper Handling	<ul style="list-style-type: none"><li>• Pages to Print</li><li>• Page Order</li><li>• Scale to fit paper size</li><li>• Destination Paper Size</li><li>• Scale down only</li></ul>
Cover Page	<ul style="list-style-type: none"><li>• Print Cover Page</li><li>• Cover Page Type</li><li>• Billing Info</li></ul>
Scheduler	<ul style="list-style-type: none"><li>• Print Document</li><li>• Priority</li></ul>

---

Item	Printing Options
Printer Features	<ul style="list-style-type: none"><li>• 1. Detailed Settings<ul style="list-style-type: none"><li>– Image Quality</li><li>– Image Rotation 180 Degree</li><li>– Toner Saving Mode</li><li>– Barcode Mode</li><li>– Image Enhancement</li></ul></li><li>• 2. Color Balance<ul style="list-style-type: none"><li>– Low Density (K)</li><li>– Medium Density (K)</li><li>– High Density (K)</li></ul></li><li>• 3. Paper Handling<ul style="list-style-type: none"><li>– Paper Type</li></ul></li><li>• 4. Printer Specific Options<ul style="list-style-type: none"><li>– Skip Blank Pages</li></ul></li></ul>
Summary	

---

## ■ Printing Custom Size Paper

This section explains how to print on custom size paper using the print driver.

The way to load custom size paper is the same as the one to load standard size paper.

### See also:

- ["Loading Print Media in the Multipurpose Feeder \(MPF\)" on page 66](#)

## Defining Custom Paper Sizes

Before printing, set the custom size on the print driver.

### NOTE:

- When setting the paper size on the print driver, be sure to specify the same size as the actual print media used. Setting the wrong size for printing can cause printer failure. This is especially true if you configure a bigger size when using a narrow width paper.

### • Using the Windows Print Driver

On the Windows print driver, set the custom size in the **Custom Paper Size** dialog box. This section explains the procedure using Windows XP as an example.

For Windows XP or later, an administrator's password only allows users with administrator rights to change the settings. Users without the rights of administrator can only view the contents.

- 1 Click **start** → **Printers and Faxes**.
- 2 Right-click the icon for your printer, and then select **Properties**.
- 3 Select the **Configuration** tab.
- 4 Click **Custom Paper Size**.
- 5 Select the custom setup you want to define from **Details**.
- 6 Specify the length of the short edge and long edge under **Change Setting for**. You can specify the values either by entering them directly or using the up arrow and down arrow buttons. The length of the short edge cannot be longer than the long edge, even if it is within the specified range. The length of the long edge cannot be shorter than the short edge, even if it is within the specified range.
- 7 To assign a paper name, select the **Name the Paper Size** check box, and then enter the name in **Paper Name**. Up to 14 characters can be used for the paper name.
- 8 If necessary, repeat steps 5 to 7 to define another custom size.
- 9 Click **OK** twice.

## Printing on Custom Size Paper

Use the following procedures to print using either the Windows or Mac OS X print drivers.

## • Using the Windows Print Driver

This section explains the procedure using Windows XP WordPad as an example.

### NOTE:

- The way to display the printer **Properties/Printing Preferences** dialog box differs according to the application software. Refer to the manual of your respective application software.

- 1 From the **File** menu, select **Print**.
- 2 Select the printer as the printer to be used and click **Preferences**.
- 3 Select the **Paper/Output** tab.
- 4 Select the size of the original document from **Paper Size**.
- 5 Select the appropriate paper type from **Paper Type**.
- 6 Click the **Layout** tab.
- 7 From **Output Size**, select the custom size you defined. If you select the custom size from **Paper Size** in step 4, select **Same as Paper Size**.
- 8 Click **OK**.
- 9 Click **Print** in the **Print** dialog box to start printing.

## • Using the Mac OS X Print Driver

This section explains the procedure using Mac OS X 10.6 TextEdit as an example.

- 1 From the **File** menu, select **Page Setup**.
- 2 Select the printer as the printer to be used from **Format For**.
- 3 From **Paper Size**, select **Manage Custom Sizes**.
- 4 In the **Custom Paper Sizes** window, click **+**.  
A newly created setting "Untitled" is displayed in the list.
- 5 Double-click "Untitled" and enter the name for the setting.
- 6 Enter the size of the original document in the **Width** and **Height** boxes of **Paper Size**.
- 7 Specify **Non-Printable Area** if necessary.
- 8 Click **OK**.
- 9 Make sure that the newly created paper size is chosen in **Paper Size**, and then click **OK**.
- 10 From the **File** menu, select **Print**.
- 11 Press **Print** to start printing.



## ■ Checking Status of Print Data

This section includes:

- ["Checking Status \(Windows Only\)" on page 88](#)

### Checking Status (Windows Only)

You can check the printer status with SimpleMonitor. Double-click the SimpleMonitor printer icon on the taskbar at the bottom right of the screen. The **Printer Selection** window appears, which displays the printer name, printer connection ports, and printer status. Check the column **Status** to know the current status of your printer.

**Settings** button: Displays the **Settings** screen and allows you to modify the SimpleMonitor settings.

Click the name of the desired printer listed on the **Printer Selection** window. The **Printer Status** window appears. You can check the printer status and print job status.

For more information about SimpleMonitor, see Help. The following procedure uses Windows XP as an example:

- 1 Click **start** → **All Programs**.
- 2 Select **Fuji Xerox**.
- 3 Select **Fuji Xerox Printer Software for Asia-Pacific**.
- 4 Select **DocuPrint P205 b**.
- 5 Select **Activate SimpleMonitor**.  
The **Printer Selection** window appears.
- 6 Click the name of the desired printer from the list.  
The **Printer Status** window appears.
- 7 Click **Help**.

#### See also:

- ["SimpleMonitor \(Windows Only\)" on page 42](#)

## ■ Printing a Report Page

To confirm your printer settings, print a report page.

This section describes the method of printing a report page.

## Printing a System Settings Page

To verify detailed printer settings, print a System Settings page.

## The Printer Setting Utility

The following procedure uses Windows XP as an example.

- 1 Click **start** → **All Programs** → **Fuji Xerox** → **Fuji Xerox Printer Software for Asia-Pacific** → **DocuPrint P205 b** → **Printer Setting Utility**.

### NOTE:

- The window to select a printer appears in this step, when multiple print drivers are installed on your computer. In this case, click the name of the desired printer listed in **Printer Name**.

The Printer Setting Utility appears.

- 2 Click the **Printer Settings Report** tab.
- 3 Select **Reports** from the list at the left side of the page.  
The **Reports** page is displayed.
- 4 Click **System Settings**.  
The System Settings page is printed.

## ■ Printer Settings

You can select menu items and corresponding values from the Printer Setting Utility. The following procedure uses Windows XP as an example.

### NOTE:

- Factory defaults may vary for different countries.  
These settings are active until new ones are selected or the factory defaults are restored.

To select a new value as a setting:

- 1 Click **start** → **All Programs** → **Fuji Xerox** → **Fuji Xerox Printer Software for Asia-Pacific** → **DocuPrint P205 b** → **Printer Setting Utility**.

### NOTE:

- The window to select a printer appears in this step, when multiple print drivers are installed on your computer. In this case, click the name of the desired printer listed in **Printer Name**.

The Printer Setting Utility appears.

- 2 Click the **Printer Maintenance** tab.

- 3 Select the desired menu item.

Each menu item has a list of values for the menu item. A value can be:

- A phrase or word to describe a setting
- A numerical value that can be changed
- An On or Off setting

- 4 Select the desired value, and then click the associated button with each menu item.

Driver settings may have precedence over changes previously made and may require you to change the Printer Setting Utility defaults.

# Using the Operator Panel

This chapter includes:

- ["Resetting to Factory Defaults" on page 92](#)
- ["Understanding the Operator Panel Lights" on page 93](#)

# Resetting to Factory Defaults

---

After executing Initialize NVM and rebooting the printer, all the menu parameters or data are reset to their factory default values.

- 1 Turn off the printer.
- 2 Open the rear cover.
- 3 While holding down the button on the operator panel, turn on the printer.  
Ensure that the **○ (Ready)** LED and **! (Error)** LED blink. If the LEDs do not blink, turn off the printer, and then execute step 3 again.
- 4 Close the rear cover.  
The printer starts initializing the Non-Volatile Memory (NVM).

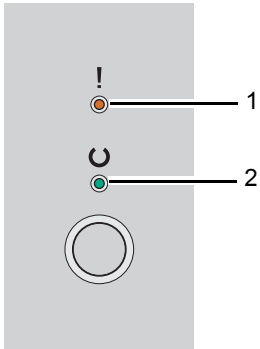
## **IMPORTANT:**

- Never attempt to turn off the printer. The printer will cease to function.  
The printer restarts automatically to apply the settings.

# Understanding the Operator Panel Lights








The operator panel lights mean different things, depending on their sequence. Umber and green lights that are off, on, or blinking indicate printer conditions.



	LED	Off	On	Fast Blink	Slow Blink
1	Error	—	●	☀	None
2	Ready	—	●	☀	☀



## ■ Light Sequences

The following table shows the light status.

1	2	Printer Status
Error	Ready	
—		Ready The toner is low. <b>See also:</b> • <a href="#">"Replacing the Toner Cartridge" on page 134</a>
—		Downloading Warming up after power on Receiving data, Waiting for data, Printing Printing when the toner is low. <b>See also:</b> • <a href="#">"Replacing the Toner Cartridge" on page 134</a> Returning from Sleep mode
—		In Power Saver mode <b>See also:</b> • <a href="#">"Power Saver Mode" on page 35</a>
		No paper is loaded. Load paper, and then press the button on the operator panel. <b>See also:</b> • <a href="#">"Loading Print Media in the Multipurpose Feeder (MPF)" on page 66</a> The wrong size of paper is loaded. <b>See also:</b> • <a href="#">"Loading Print Media in the Multipurpose Feeder (MPF)" on page 66</a> Paper jam occurred. <b>See also:</b> • <a href="#">"Clearing Jams" on page 98</a> Waiting for manual duplex printing <sup>*1</sup>
		Canceling job In Initialize NVM mode <b>See also:</b> • <a href="#">"Resetting to Factory Defaults" on page 92</a>

1	2	Printer Status
Error	Ready	
	—	<p>The toner is empty.</p> <p><b>See also:</b></p> <ul style="list-style-type: none"> <li>• <a href="#">"Replacing the Toner Cartridge" on page 134</a></li> </ul> <hr/> <p>The rear cover is opened.</p> <p>Close the rear cover.</p> <hr/> <p>All other engine error: fan error, fusing unit error etc.</p> <p>Turn off the printer, and then on.</p>
	—	<p>A fatal error occurred.</p> <p>Turn off the printer, and then on. Contact the Fuji Xerox local representative office or an authorised dealer if this error occurs repeatedly.</p>

\*1 Load paper for the second side (odd) pages, and press the button on the operator panel.

**See also:**

- ["Manual Duplex Printing \(Windows Print Driver Only\)" on page 74](#)





# Troubleshooting

This chapter includes:

- ["Clearing Jams" on page 98](#)
- ["Basic Printer Problems" on page 107](#)
- ["Display Problems" on page 108](#)
- ["Printing Problems" on page 109](#)
- ["Print Quality Problems" on page 111](#)
- ["Other Problems" on page 125](#)
- ["Contacting Service" on page 126](#)
- ["Getting Help" on page 127](#)
- ["Non-Genuine Mode" on page 131](#)

# Clearing Jams

---

This section includes:

- ["Avoiding Jams" on page 99](#)
- ["Identifying the Location of Paper Jams" on page 100](#)
- ["Clearing Paper Jams From the Front of the Printer" on page 101](#)
- ["Clearing Paper Jams From the Back of the Printer" on page 102](#)
- ["Clearing Paper Jams From the Center Output Tray" on page 104](#)
- ["Jam Problems" on page 106](#)

Careful selection of appropriate print media and proper loading allow you to avoid most jams.

## **See also:**

- ["About Print Media" on page 56](#)
- ["Supported Print Media" on page 60](#)

## **NOTE:**

- Before buying large quantities of any print media, it is recommended that you try a sample first.

## ■ Avoiding Jams

- Use only recommended print media.
- See "[Loading Print Media in the Multipurpose Feeder \(MPF\)](#)" on page 66 to load print media properly.
- Do not overload the print media sources. Ensure that the stacked print media height does not exceed the marks indicated on the paper width guides.
- Do not load wrinkled, creased, damp, or curled print media.
- Flex, fan, and straighten print media before you load it. If a jam occurs with print media, try feeding one sheet at a time through the multipurpose feeder (MPF).
- Do not use print media that you have cut or trimmed.
- Do not mix print media sizes, weights, or types in the same print media source.
- Ensure that the recommended print side is face up when you insert the print media.
- Keep print media stored in an acceptable environment.
- Ensure that all cables that connect to the printer are correctly attached.
- Overtightening the guides may cause jams.

### See also:

- "[About Print Media](#)" on page 56
- "[Supported Print Media](#)" on page 60
- "[Print Media Storage Guidelines](#)" on page 59

## ■ Identifying the Location of Paper Jams

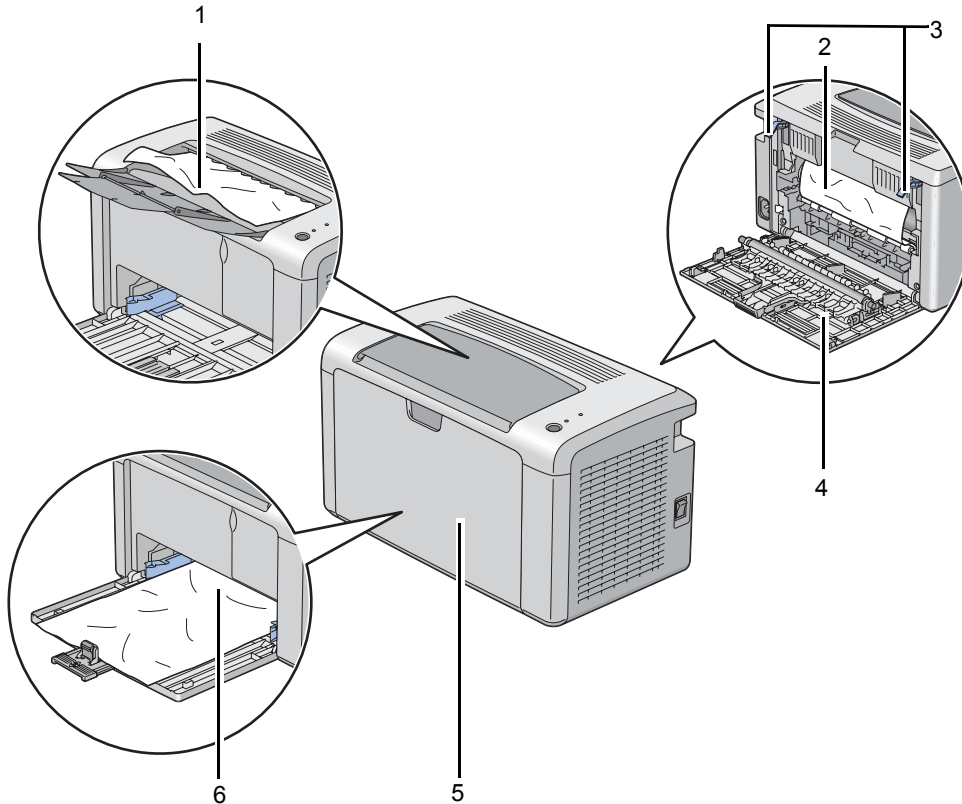
### CAUTION:

- Do not attempt to remove a paper jammed deeply inside the product, particularly a paper wrapped around a Fusing Unit or a heat roller. Otherwise, it may cause injuries or burns. Switch off the product promptly and contact your local Fuji Xerox representative.

### IMPORTANT:

- Do not attempt to clear any jams using tools or instruments. This may permanently damage the printer.

The following illustration shows where paper jams may occur along the print media path.



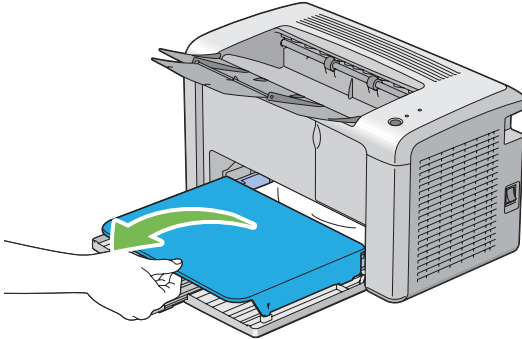
- |   |                           |
|---|---------------------------|
| 1 | Center Output Tray        |
| 2 | Transfer Belt             |
| 3 | Levers                    |
| 4 | Rear Cover                |
| 5 | Front Cover               |
| 6 | Multipurpose Feeder (MPF) |

## ■ Clearing Paper Jams From the Front of the Printer

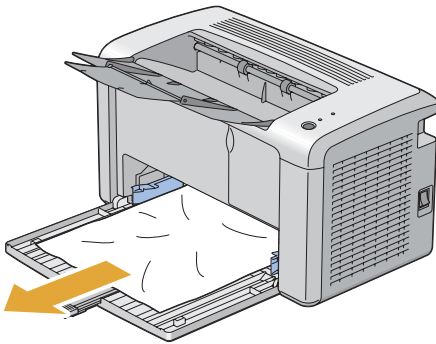
### NOTE:

- To resolve the error displayed on the operator panel, you must clear all print media from the print media path.

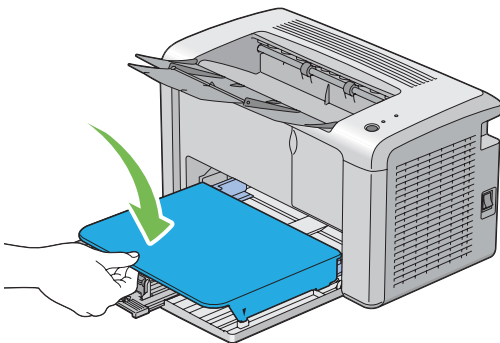
- 1 Remove the paper cover.



- 2 Remove any paper jammed from the front of the printer.



- 3 Replace the paper cover in the printer.



- 4 To restore the printer, press the button on the operator panel according to the instructions of the **Printer Status** window.

### IMPORTANT:

- Do not use excessive force on the paper cover. Doing so could damage it or the inside of the printer.

## ■ Clearing Paper Jams From the Back of the Printer

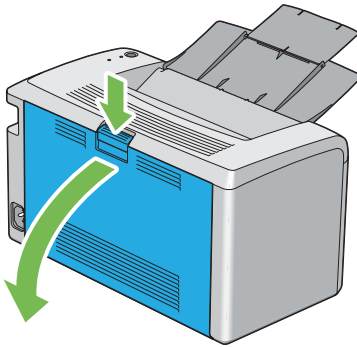
### IMPORTANT:

- To prevent electric shock, always turn off the printer and disconnect the power cord from the grounded outlet before performing maintenance.
- To avoid burns, do not clear paper jams immediately after printing. The fusing unit becomes extremely hot during use.

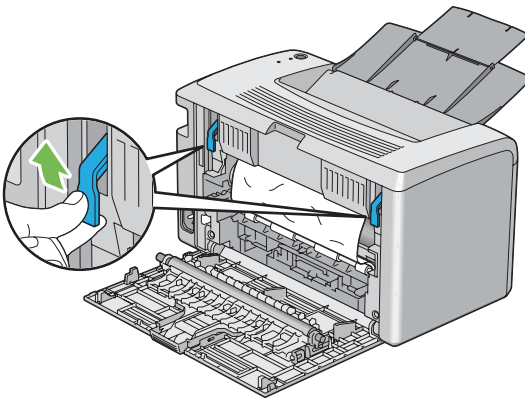
### NOTE:

- To resolve the error displayed on the operator panel, you must clear all print media from the print media path.

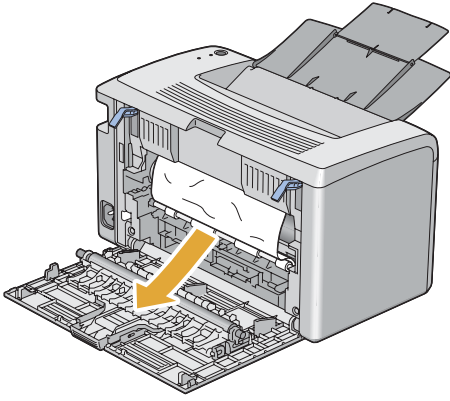
- 1 Push the rear cover handle and open the rear cover.



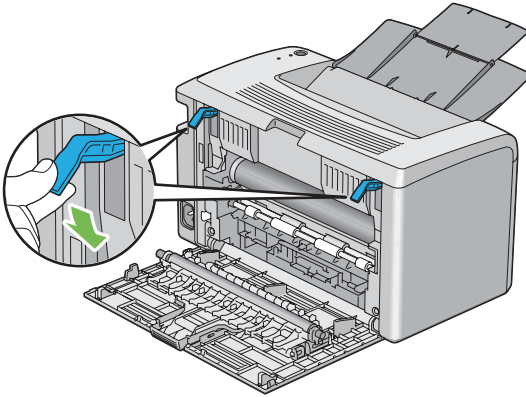
- 2 Lift up the levers.



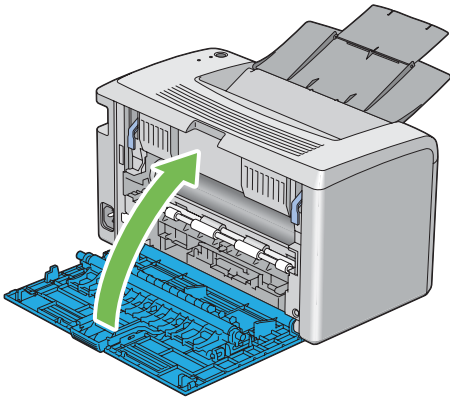
- 3 Remove any paper jammed from the back of the printer.



4 Lower the levers to their original position.



5 Close the rear cover.





## ■ Clearing Paper Jams From the Center Output Tray

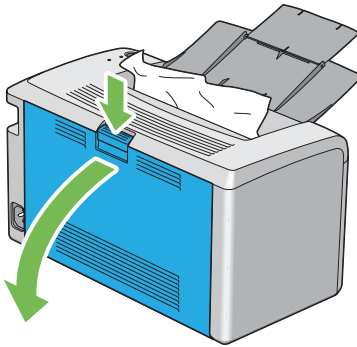
### IMPORTANT:

- To prevent electric shock, always turn off the printer and disconnect the power cord from the grounded outlet before performing maintenance.
- To avoid burns, do not clear paper jams immediately after printing. The fusing unit becomes extremely hot during use.

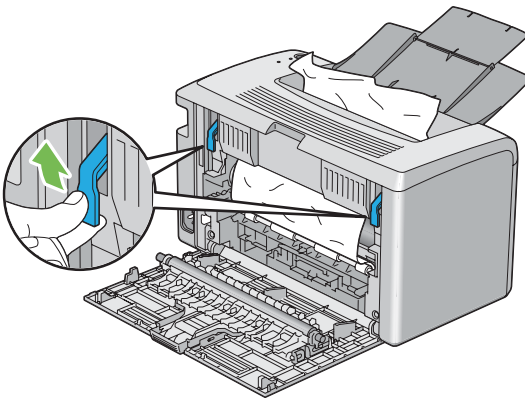
### NOTE:

- To resolve the error displayed on the operator panel, you must clear all print media from the print media path.

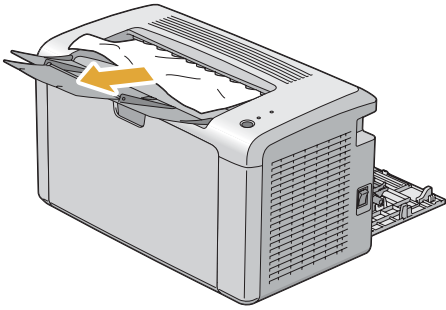
- 1 Push the rear cover handle and open the rear cover.



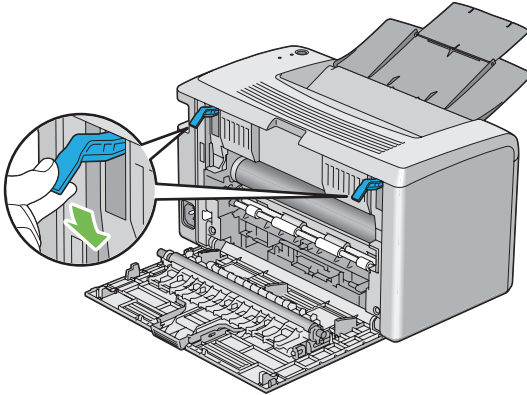
- 2 Lift up the levers.



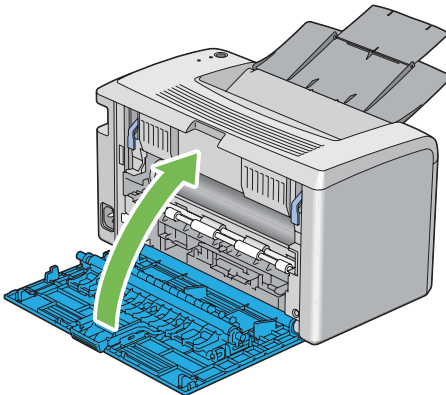
- 3 Remove any paper jammed from the back of the printer. If no paper is found in the paper path, then remove any paper jammed out of the center output tray.



4 Lower the levers to their original position.



5 Close the rear cover.



## ■ Jam Problems

This section includes:

- ["Misfeed jam" on page 106](#)
- ["Multi-feed jam" on page 106](#)

### Misfeed jam

Problem	Action
Print media misfeeds occur.	Ensure that the paper is inserted properly in the multipurpose feeder (MPF).  Depending on the print media you use, take any of the following actions: <ul style="list-style-type: none"><li>• For thick paper, use the one that is 163 gsm or less.</li><li>• For postcard, the one up to 190 gsm is available.</li><li>• For thin paper, use the one that is 60 gsm or more.</li><li>• For the envelope, ensure that it is properly loaded in the multipurpose feeder (MPF) as instructed in <a href="#">"Loading Envelope in the Multipurpose Feeder (MPF)" on page 69</a>.</li></ul> <hr/> If the envelope is deformed, correct it or use another envelope. <hr/> If performing manual duplex printing, ensure that the print media is not curled. <hr/> Fan the print media. <hr/> If the print media is damp, turn over the print media. <hr/> If the problem continues, use print media that is not damp.

#### NOTE:

- If the problem continues even though you have taken suggested actions described above, contact the Fuji Xerox local representative office or an authorised dealer.

### Multi-feed jam

Problem	Action
Print media multiple feeds occur.	Ensure that the paper is inserted properly in the multipurpose feeder (MPF).  If the print media is damp, use print media that is not damp. <hr/> Fan the print media.

#### NOTE:

- If the problem continues even though you have taken suggested actions described above, contact the Fuji Xerox local representative office or an authorised dealer.

# Basic Printer Problems

---


Some printer problems can be easy to resolve. If a problem occurs with your printer, check each of the followings:

- The power cord is connected to the printer, and to a properly grounded electrical outlet.
- The printer is turned on.
- The electrical outlet is not turned off at any switch or breaker.
- Other electrical equipment plugged into the outlet is working.


If you have checked all of the above and still have a problem, turn off the printer, wait for 10 seconds, and then turn on the printer. This often fixes the problem.

# Display Problems

---

Problem	Action
After the printer is turned on, the  (Ready) LED is not lit.	Turn off the printer, wait for 10 seconds, and turn on the printer.

# Printing Problems

Problem	Action
Printer stops during print job.	<p>Check if the message appears on the Printer Setting Utility. If the "Cooling Down Wait a few minutes" message appears, the printer is cooling down because the printer temperature is too high. Please wait a few minutes.</p> <p>After the printer cools down, the printing will restart.</p>
Job did not print or incorrect characters printed.	<p>Ensure that the  (<b>Ready</b>) LED is lit.</p> <p>Ensure that print media is loaded in the printer.</p> <p>Verify that you are using the correct print driver.</p> <p>Ensure that you are using the correct USB cable and that it is securely connected to the printer.</p> <p>Verify that the correct print media size is selected.</p> <p>If you are using a print spooler, verify that the spooler has not stalled.</p>
Print media misfeeds or multiple feeds occur.	<p>Ensure that the print media you are using meets the specifications for your printer.</p> <p><b>See also:</b></p> <ul style="list-style-type: none"> <li>• <a href="#">"Usable Print Media" on page 61</a></li> </ul> <p>Fan the print media before loading it.</p> <p>Ensure that the print media is loaded correctly.</p> <p>Ensure that the paper width guides and length guide are adjusted correctly.</p> <p>Do not overfill the print media sources.</p> <p>Do not force print media into the multipurpose feeder (MPF) when you load it. Otherwise, it may skew or buckle.</p> <p>Ensure that the print media is not curled.</p> <p>Load the recommended print side correctly for the type of print media you are using.</p> <p><b>See also:</b></p> <ul style="list-style-type: none"> <li>• <a href="#">"Loading Print Media" on page 63</a></li> </ul> <p>Turn the print media over or around and try printing again to see if feeding improves.</p> <p>Do not mix print media types.</p> <p>Do not mix reams of print media.</p> <p>Remove the top and bottom curled sheets of a ream before loading the print media.</p> <p>Load a print media source only when it is empty.</p>
The envelope is creased after printing.	<p>Ensure that the envelope is loaded as instructed in <a href="#">"Loading Envelope in the Multipurpose Feeder (MPF)" on page 69</a>.</p>
Page breaks in unexpected places.	<p>Increase the value for <b>Fault Time-Out</b> in the <b>System Settings</b> menu that is on the <b>Printer Maintenance</b> tab in the Printer Setting Utility.</p>
Print media does not stack neatly in the center output tray.	<p>Turn the print media stack over in the multipurpose feeder (MPF).</p>

---

<b>Problem</b>	<b>Action</b>
Printer does not duplex pages.	Select <b>Flip on Short Edge</b> or <b>Flip on Long Edge</b> from the <b>Duplex</b> menu on the <b>Paper/Output</b> tab in the print driver.
Job prints from the wrong source or on the wrong print media.	Check <b>Paper Type</b> in the print driver.

---

# Print Quality Problems

---

This section includes:

- ["The Output Is Too Light" on page 112](#)
- ["Toner Smears or Print Comes Off/Stain on Back Side" on page 113](#)
- ["Random Spots/Blurred Images" on page 114](#)
- ["The Entire Output Is Blank" on page 115](#)
- ["Streaks Appear on the Output" on page 116](#)
- ["Mottle" on page 117](#)
- ["Ghosting" on page 118](#)
- ["Fog" on page 119](#)
- ["Bead-Carry-Out \(BCO\)" on page 120](#)
- ["Auger Mark" on page 121](#)
- ["Wrinkled/Stained Paper" on page 122](#)
- ["The Top Margin Is Incorrect" on page 123](#)
- ["Protrudent/Bumpy Paper" on page 124](#)

## **NOTE:**

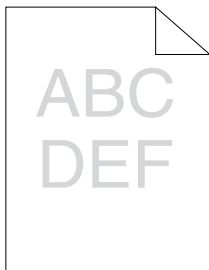
- In this section, some procedures use the Printer Setting Utility or the SimpleMonitor.

## **See also:**

- ["Printer Setting Utility \(Windows Only\)" on page 41](#)
- ["SimpleMonitor \(Windows Only\)" on page 42](#)



## ■ The Output Is Too Light

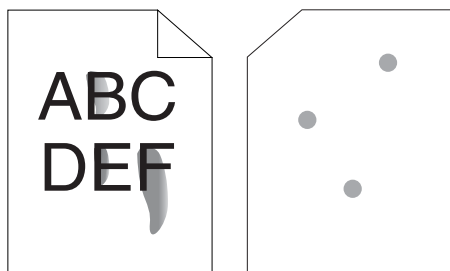


Problem	Action
The output is too light.	<p>The toner cartridge may be low or need to be replaced. Confirm the amount of toner in the toner cartridge.</p> <ol style="list-style-type: none"><li data-bbox="552 581 1269 639">1 Check the <b>Estimated Toner Level</b> on the <b>Consumables</b> tab in the <b>Printer Status</b> window.</li><li data-bbox="552 645 1012 670">2 Replace the toner cartridge as necessary.</li></ol> <hr/> <p>Verify that the print media is dry and the correct print media is used. If not, use the print media recommended for the printer.</p> <p><b>See also:</b></p> <ul style="list-style-type: none"><li data-bbox="552 813 924 838">• <a href="#">"Usable Print Media" on page 61</a></li></ul> <hr/> <p>Try changing the <b>Paper Type</b> setting in the print driver.</p> <p>On the <b>Paper/Output</b> tab in <b>Printing Preferences</b> of the print driver, change the <b>Paper Type</b> setting.</p> <hr/> <p>Disable <b>Toner Saving Mode</b> in the print driver.</p> <ol style="list-style-type: none"><li data-bbox="552 996 1232 1045">1 On the <b>Graphics</b> tab in <b>Printing Preferences</b> of the print driver, ensure that the <b>Toner Saving Mode</b> check box is not selected.</li></ol>

### NOTE:

- If the problem continues even though you have taken suggested actions described above, contact the Fuji Xerox local representative office or an authorised dealer.

## ■ Toner Smears or Print Comes Off/Stain on Back Side

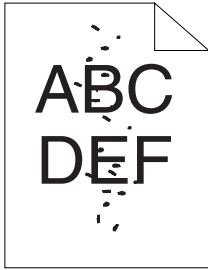


Problem	Action
Toner smears or print comes off. The output has stain on the back side.	<p>The print media surface may be uneven. Try changing the <b>Paper Type</b> setting in the print driver. For example, change the Plain to Lightweight Cardstock.</p> <ol style="list-style-type: none"><li>1 On the <b>Paper/Output</b> tab in <b>Printing Preferences</b> of the print driver, change the <b>Paper Type</b> setting.</li></ol>
	<p>Verify that the correct print media is being used.</p> <p>If not, use the print media recommended for the printer.</p> <p><b>See also:</b></p> <ul style="list-style-type: none"><li>• <a href="#">"Usable Print Media" on page 61</a></li></ul>
	<p>Adjust the temperature of the fusing unit.</p> <ol style="list-style-type: none"><li>1 Launch the Printer Setting Utility, and click <b>Adjust Fuser</b> on the <b>Printer Maintenance</b> tab.</li><li>2 Adjust the fixing temperature by turning up the value for your printing media.</li><li>3 Click <b>Apply New Settings</b> button.</li></ol>

### NOTE:

- If the problem continues even though you have taken suggested actions described above, contact the Fuji Xerox local representative office or an authorised dealer.

## ■ Random Spots/Blurred Images

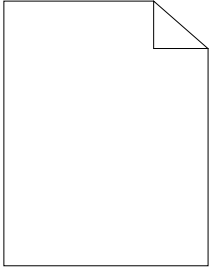


Problem	Action
The printed result has random spots or is blurred.	Ensure that the toner cartridge is installed correctly.  <b>See also:</b> <ul style="list-style-type: none"><li data-bbox="550 606 1023 631">• <a href="#">"Installing a Toner Cartridge" on page 138</a></li></ul>
	If you use a non-genuine brand toner cartridge, install a genuine brand toner cartridge.

### NOTE:

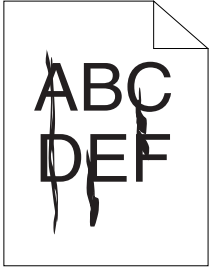
- If the problem continues even though you have taken suggested actions described above, contact the Fuji Xerox local representative office or an authorised dealer.

## ■ The Entire Output Is Blank



If this trouble happens, contact the Fuji Xerox local representative office or an authorised dealer.

## ■ Streaks Appear on the Output



If this trouble happens, contact the Fuji Xerox local representative office or an authorised dealer.

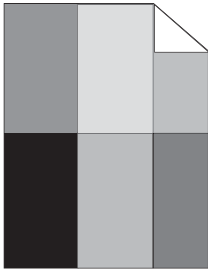
## ■ Mottle

Problem	Action
The printed result has mottled appearance.	Adjust the transfer bias. <b>1</b> Launch the Printer Setting Utility, click <b>Adjust BTR</b> on the <b>Printer Maintenance</b> tab. <b>2</b> Adjust the setting for the type of print media being used. <b>3</b> Click <b>Apply New Settings</b> button.
	If you use non-recommended print media, use the print media recommended for the printer.

### NOTE:

- If the problem continues even though you have taken suggested actions described above, contact the Fuji Xerox local representative office or an authorised dealer.

## ■ Ghosting



Problem	Action
The printed result has ghosting.	<p>Adjust the transfer bias.</p> <ol style="list-style-type: none"><li>1 Launch the Printer Setting Utility, and click <b>Chart Print</b> on the <b>Diagnosis</b> tab.</li><li>2 Click the <b>Ghost Configuration Chart</b> button. The Ghost Configuration Chart is printed.</li><li>3 Launch the Printer Setting Utility, and click <b>BTR Refresh Mode</b> on the <b>Printer Maintenance</b> tab.</li><li>4 Select the check box next to <b>On</b>, and then click <b>Apply New Settings</b> button.</li><li>5 Click <b>Chart Print</b> on the <b>Diagnosis</b> tab.</li><li>6 Click the <b>Ghost Configuration Chart</b> button. The Ghost Configuration Chart is printed.</li></ol>
	<p>The print media surface may be uneven. Try changing the <b>Paper Type</b> setting in the print driver. For example, change the Plain to Lightweight Cardstock.</p> <ol style="list-style-type: none"><li>1 On the <b>Paper/Output</b> tab in <b>Printing Preferences</b> of the print driver, change the <b>Paper Type</b> setting.</li></ol>
	<p>Adjust the temperature of the fusing unit.</p> <ol style="list-style-type: none"><li>1 Launch the Printer Setting Utility, and click <b>Adjust Fuser</b> on the <b>Printer Maintenance</b> tab.</li><li>2 Adjust the fixing temperature by turning up the value for your printing media.</li><li>3 Click <b>Apply New Settings</b> button.</li></ol>
	<p>If you use non-recommended print media, use the print media recommended for the printer.</p>

### NOTE:

- If the problem continues even though you have taken suggested actions described above, contact the Fuji Xerox local representative office or an authorised dealer.

## ■ Fog



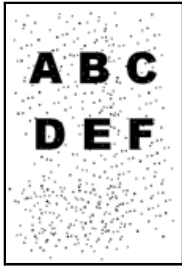
Problem	Action
The printed result is foggy.	When the whole is printed light, contact the Fuji Xerox local representative office or an authorised dealer. When the printed page is partly light, start <b>Clean Developer</b> . <b>1</b> Launch the Printer Setting Utility, and click <b>Clean Developer</b> on the <b>Diagnosis</b> tab. <b>2</b> Click the <b>Start</b> button.

### NOTE:

- If the problem continues even though you have taken suggested actions described above, contact the Fuji Xerox local representative office or an authorised dealer.



## ■ Bead-Carry-Out (BCO)

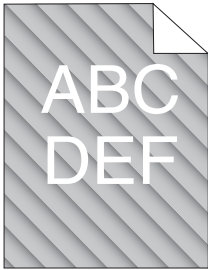


Problem	Action
Bead-Carry-Out (BCO) is happening.	If the printer is installed in a high altitude location, set the altitude of the location. <ol style="list-style-type: none"><li data-bbox="552 579 1270 633">1 Launch the Printer Setting Utility, and click <b>Adjust Altitude</b> on the <b>Printer Maintenance</b> tab.</li><li data-bbox="552 643 1222 697">2 Select the value close to the altitude of the location where the printer is installed.</li><li data-bbox="552 707 934 730">3 Click <b>Apply New Settings</b> button.</li></ol>

### NOTE:

- If the problem continues even though you have taken suggested actions described above, contact the Fuji Xerox local representative office or an authorised dealer.

## ■ Auger Mark

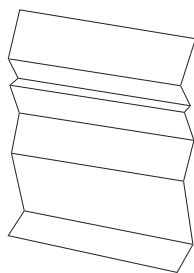


Problem	Action
The printed result has auger mark.	<p>The toner cartridge may be low or need to be replaced. Confirm the amount of toner in the toner cartridge.</p> <ol style="list-style-type: none"><li>1 Check the <b>Estimated Toner Level</b> on the <b>Consumables</b> tab in the <b>Printer Status</b> window.</li><li>2 Replace the toner cartridge as necessary.</li></ol>
	<p>Start <b>Clean Developer</b>.</p> <ol style="list-style-type: none"><li>1 Launch the Printer Setting Utility, and click <b>Clean Developer</b> on the <b>Diagnosis</b> tab.</li><li>2 Click the <b>Start</b> button.</li></ol>

### NOTE:

- If the problem continues even though you have taken suggested actions described above, contact the Fuji Xerox local representative office or an authorised dealer.

## ■ Wrinkled/Stained Paper

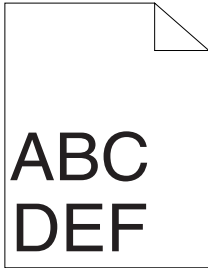


Problem	Action
The output is wrinkled. The output is stained.	Verify that the correct print media is being used. If not, use the print media recommended for the printer.  <b>See also:</b> <ul style="list-style-type: none"><li>• <a href="#">"Usable Print Media" on page 61</a></li><li>• <a href="#">"About Print Media" on page 56</a></li></ul> <hr/> <p>If you use the envelope, check whether the crease is within 30 mm of the four edges of the envelope.</p> <p>If the crease is within 30 mm of the four edges of the envelope, this is considered normal. Your printer is not at fault.</p> <p>If not, take the following actions:</p> <ul style="list-style-type: none"><li>• If the envelope is Com-10 envelope, which is 220 mm or longer and has a flap on the long edge, load it being rotated 180 degree.</li><li>• If the envelope is Com-10 envelope, which is 220 mm or longer and has a flap on the long edge, use a different size envelope.</li><li>• If the envelope is C5, which is 220 mm or longer and has a flap on the short edge, load it in the multipurpose feeder (MPF) with the flap open and facing up.</li><li>• If the envelope is Monarch or DL, which is shorter than 220 mm, load it long edge feed in the multipurpose feeder (MPF) with the flap open and facing up.</li></ul> <p>If the problem continues, use a different size envelope.</p>

### NOTE:

- If the problem continues even though you have taken suggested actions described above, contact the Fuji Xerox local representative office or an authorised dealer.

## ■ The Top Margin Is Incorrect

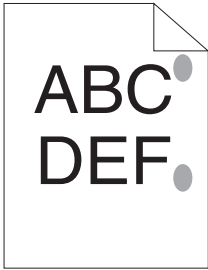


Problem	Action
The top margin is incorrect.	Ensure that the margins are set correctly on the application being used.

### NOTE:

- If the problem continues even though you have taken suggested actions described above, contact the Fuji Xerox local representative office or an authorised dealer.

## ■ Protrudent/Bumpy Paper



Problem	Action
Printed surface got protrudent/bumpy.	<p>Clean up the fusing unit.</p> <ol style="list-style-type: none"><li>1 Load one sheet of paper on the multipurpose feeder (MPF), and then print a solid image all over paper.</li><li>2 Load the printed sheet with the side to be printed on facing down, and then print a blank sheet of paper.</li></ol>

### NOTE:

- If the problem continues even though you have taken suggested actions described above, contact the Fuji Xerox local representative office or an authorised dealer.

# Other Problems

---

<b>Problem</b>	<b>Action</b>
Condensation has occurred inside the printer.	This usually occurs within several hours after you heat the room in winter. This also occurs when the printer is operating in a location where relative humidity reaches 85% or more. Adjust the humidity or relocate the printer to an appropriate environment.

# Contacting Service

---

When you call for printer service, be prepared to describe the problem you are experiencing or the LED status on the operator panel.

You need to know the model of your printer and serial number. See the label on the rear cover of your printer.

# Getting Help

---

This section includes:

- ["Operator Panel Lights" on page 128](#)
- ["SimpleMonitor Alerts" on page 129](#)
- ["Obtaining the Product Information" on page 130](#)

Fuji Xerox provides several automatic diagnostic tools to help you produce and maintain print quality.



## ■ Operator Panel Lights

The operator panel provides you with information and troubleshooting help. When an error or warning condition occurs, the operator panel LEDs inform you of the problem.

### See also:

- ["Understanding the Operator Panel Lights" on page 93](#)

## ■ SimpleMonitor Alerts

The SimpleMonitor is a tool that is included on the *Software Pack CD-ROM*. It automatically checks the printer status when you send a print job. If the printer is unable to print your job, the SimpleMonitor automatically displays an alert on your computer screen to let you know that the printer needs attention.

## ■ Obtaining the Product Information

### Obtaining the Latest Print Driver

The latest print driver can be obtained by downloading it from our web site.

#### NOTE:

- The communication fee shall be borne by users.
- This section explains the procedure using Microsoft® Windows® XP as an example.

- 1** In your print driver's **Properties** dialog box, click the **Configuration** tab and then click **About**.
- 2** Click **Fuji Xerox Printer Homepage**.  
Your web browser launches and our web site is displayed.
- 3** Follow the instructions on the web site and download an appropriate print driver.

#### NOTE:

- The URL of the driver download service page is as follows: <http://www.fujixeroxprinters.com/>.
- For the latest information about the print driver features, refer to the online Help provided for the print driver.

### Updating the Printer's Firmware

Our web site also provides a tool that allows you to update the printer's firmware (software embedded within the printer) from your computer.

The latest firmware and updating tool can be downloaded from the following URL.

Follow the instructions on the web site and download the correct firmware update.

<http://www.fujixeroxprinters.com/>

#### NOTE:

- The communication fee shall be borne by users.

# Non-Genuine Mode

---

When you want to use the printer in Non-Genuine Mode, enable the Non-Genuine Mode and replace the toner cartridge.

## IMPORTANT:

- If you use the printer in the Non-Genuine Mode, the performance of the printer may not be at its optimum. And any problems that may arise from the use of the Non-Genuine Mode are not covered by our quality guarantee. The continuous use of the Non-Genuine Mode can also cause the printer to break down, and any repair charges for such break down will be incurred by users.

## NOTE:

- To disable the Non-Genuine Mode, deselect the check box next to **On** on the **Non-Genuine Mode** page on the **Printer Maintenance** tab in the Printer Setting Utility.

This section includes:

- ["The Printer Setting Utility" on page 132](#)

## ■ The Printer Setting Utility

The following procedure uses Windows XP as an example.

- 1 Click **start** → **All Programs** → **Fuji Xerox** → **Fuji Xerox Printer Software for Asia-Pacific** → **DocuPrint P205 b** → **Printer Setting Utility**.

### NOTE:

- The window to select a printer appears in this step, when multiple print drivers are installed on your computer. In this case, click the name of the desired printer listed in **Printer Name**.

The Printer Setting Utility appears.

- 2 Click the **Printer Maintenance** tab.
- 3 Select **Non-Genuine Mode** from the list at the left side of the page.  
The **Non-Genuine Mode** page is displayed.
- 4 Select the check box next to **On**, and then click the **Apply New Settings** button.

# Maintenance

This chapter includes:

- ["Replacing the Toner Cartridge" on page 134](#)
- ["Ordering Supplies" on page 140](#)
- ["Storing Consumables" on page 144](#)
- ["Managing the Printer" on page 145](#)
- ["Conserving Supplies" on page 147](#)
- ["Checking Page Counts" on page 148](#)
- ["Moving the Printer" on page 149](#)

# Replacing the Toner Cartridge

---

Fuji Xerox toner cartridges are available only through Fuji Xerox. To order by phone, see ["Online Services" on page 155](#).

It is recommended that you use a Fuji Xerox toner cartridge for your printer. Fuji Xerox does not provide warranty coverage for problems caused by using accessories, parts, or components not supplied by Fuji Xerox.

## **WARNING:**

- Use a broom or a wet cloth to wipe off spilled toner. Never use a vacuum cleaner for the spills. It may catch fire by electric sparks inside the vacuum cleaner and cause explosion. If you spill a large volume of toner, contact your local Fuji Xerox representative.
- Never throw a toner cartridge into an open flame. Remaining toner in the cartridge may catch fire and cause burn injuries or explosion. If you have a used toner cartridge no longer needed, contact your local Fuji Xerox representative for its disposal.

## **CAUTION:**

- Keep toner cartridges out of the reach of children. If a child accidentally swallows toner, spit it out, rinse mouth with water, drink water and consult a physician immediately.
- When replacing toner cartridges, be careful not to spill the toner. In case of any toner spills, avoid contact with clothes, skin, eyes and mouth as well as inhalation.
- If toner spills onto your skin or clothing, wash it off with soap and water. If you get toner particles in your eyes, wash it out with plenty of water for at least 15 minutes until irritation is gone. Consult a physician if necessary. If you inhale toner particles, move to a fresh air location and rinse your mouth with water. If you swallow toner, spit it out, rinse your mouth with water, drink plenty of water and consult a physician immediately.

## **IMPORTANT:**

- Do not shake the used toner cartridge to avoid spilling of the toner.

This section includes:

- ["Overview" on page 135](#)
- ["Removing the Toner Cartridge" on page 136](#)
- ["Installing a Toner Cartridge" on page 138](#)

## ■ Overview

The printer has one color toner cartridge: black (K).

When the toner cartridge reaches its usable life-span, the LEDs on the operator panel light on, and the following messages appear on the **Printer Status** window.

LED		Message	Remaining Page Yield	Printer Status and Action
Error	Ready			
—	●	The Black Cartridge needs to be replaced soon.* <sup>1</sup>	Approx. 200 pages* <sup>2</sup>	The toner cartridge has become low. Prepare a new one.
●	—	Replace the toner cartridge. Or check that the cartridge is correctly set.	—	The toner cartridge has become empty. Replace the old toner cartridge with a new one.

\*<sup>1</sup> This warning appears only when Fuji Xerox toner cartridge is used (Non-Genuine Mode is set to off at the Printer Setting Utility).

\*<sup>2</sup> When a high capacity toner cartridge is set, the remaining page yield is approx. 400 pages.

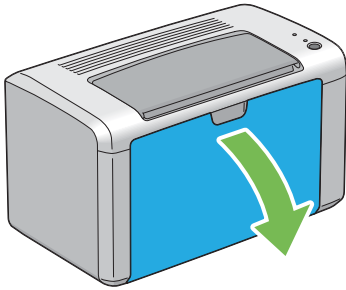
### IMPORTANT:

- When placing a used toner cartridge on a floor or on a table, place a few sheets of paper under the toner cartridge to catch any toner that may spill.
- Do not reuse old toner cartridges once you remove them from the printer. Doing so can impair print quality.
- Do not shake or pound the used toner cartridges. The remaining toner may spill.
- We recommend you to use up the toner cartridges within one year after removing them from the packaging.

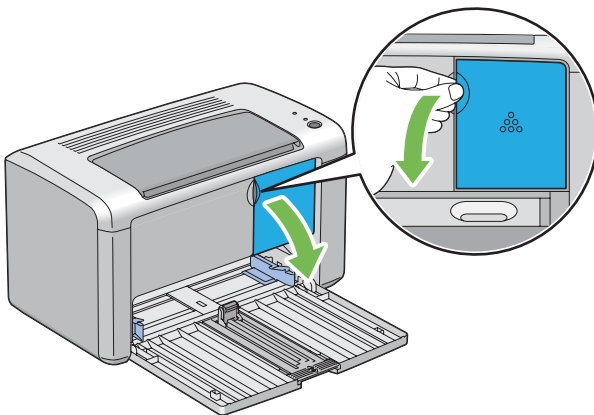


## ■ Removing the Toner Cartridge

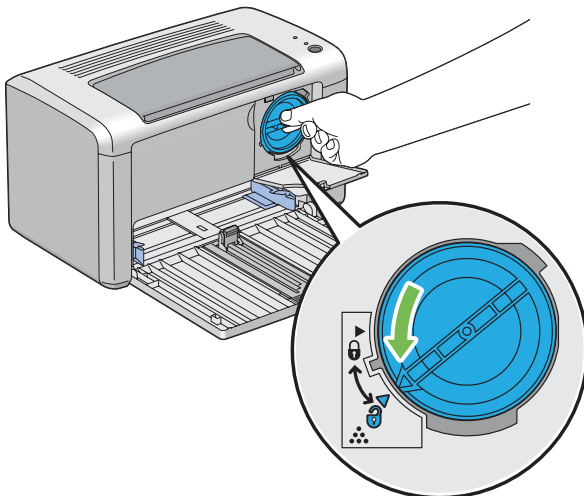
- 1 Open the front cover.



- 2 Open the toner access cover.



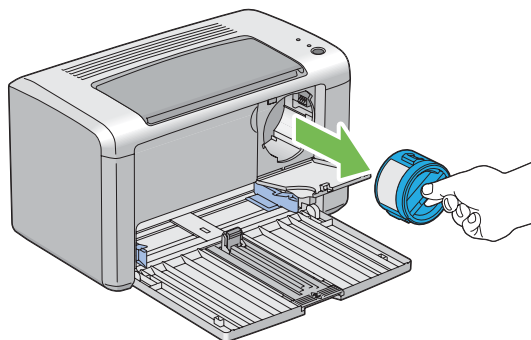
- 3 Spread a few sheets of paper on the floor or table where the removed toner cartridge is placed.
- 4 Turn the toner cartridge counterclockwise to unlock.



- 5 Pull the toner cartridge out.

**IMPORTANT:**

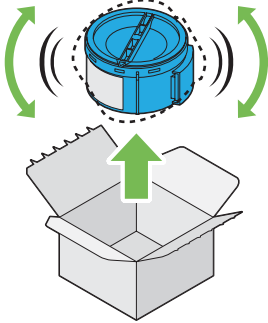
- Do not touch the shutter of the used toner cartridge.
- Always pull the toner cartridge out slowly so you do not spill any toner.



**6** Place the toner cartridge slowly on the sheets of paper spread in step 3.

## ■ Installing a Toner Cartridge

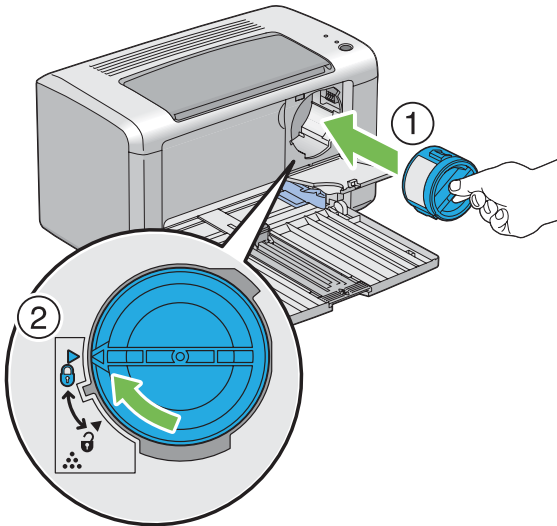
- 1 Unpack a new toner cartridge and shake it five times to distribute the toner evenly.



### NOTE:

- Handle the toner cartridge carefully to avoid spilling of the toner.

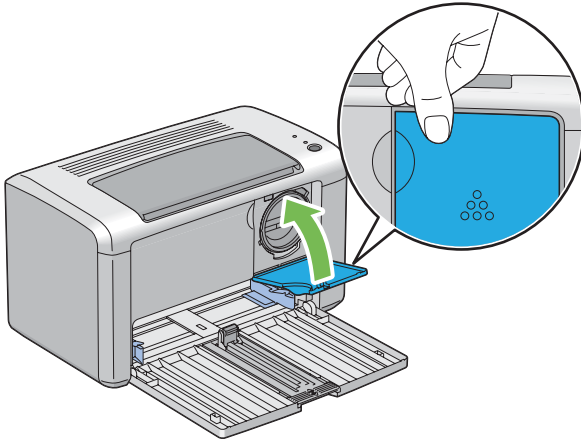
- 2 Adjust the toner cartridge to the cartridge holder, and then turn it clockwise to align to the lock mark.



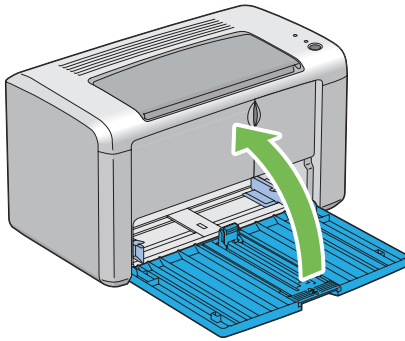
### IMPORTANT:

- Be sure to set the toner cartridge firmly before printing. Otherwise, it may cause some defects.

- 3 Close the toner access cover until it clicks.



- 4 Close the front cover.



- 5 Pack the removed toner cartridge in the box in which the installed toner cartridge was packed up.
- 6 Take care not to contact with the spilled toner and remove the sheets of paper spread under the removed toner cartridge.

# Ordering Supplies

---

This section includes:

- ["Consumables" on page 141](#)
- ["When to Order a Toner Cartridge" on page 142](#)
- ["Recycling Supplies" on page 143](#)

The toner cartridge needs to be ordered occasionally. The toner cartridge includes installation instructions on the box.

## ■ Consumables

### IMPORTANT:

- Use of consumables not recommended by Fuji Xerox can impair machine quality and performance. Use only consumables recommended by Fuji Xerox.

Product Name	Product Code	Printable Number of Pages
Toner Cartridge - Standard Capacity (for countries other than China)	CT201609	Approx. 1,000 pages
Toner Cartridge - High Capacity (for countries other than China)	CT201610	Approx. 2,200 pages
Toner Cartridge - Standard Capacity (for China)	CT201611	Approx. 1,000 pages
Toner Cartridge - High Capacity (for China)	CT201612	Approx. 2,200 pages

### IMPORTANT:

- The number of printable pages are applicable when A4 plain paper SEF (☐) is used and printing is done continuously in the print ratio of 5% in image density. Also, it satisfies the public values on the basis of JIS X6931 (ISO/IEC 19752). These values are estimates and vary depending on conditions such as the content being printed, paper size, paper type, the printer's operating environment, initializing process done when you turn on or off the printer, and adjustments to maintain print quality.

### NOTE:

- The printable number of pages for the starter toner cartridge shipped with the printer is approximately 1,000 pages.
- Each toner cartridge includes installation instructions on the box.

## ■ When to Order a Toner Cartridge

The operator panel LEDs and the **Printer Status** window inform warnings when the toner cartridge nears its replacement time. Verify that you have a replacement on hand. It is important to order a toner cartridge when these warnings first appear to avoid interruptions to your printing. The **Printer Status** window displays an error message when the toner cartridge must be replaced.

To order a toner cartridge, contact the Fuji Xerox local representative office or an authorized dealer.

### See also:

- ["Online Services" on page 155](#)

### IMPORTANT:

- This printer is designed to provide the most stable performance and print quality when used with the recommended toner cartridge. Not using the toner cartridge recommended for this machine degrades the performance and printing quality of the printer. You could also incur charges if the machine breaks down. To receive customer support and achieve the optimum performance of the printer, be sure to use the recommended toner cartridge.

## ■ Recycling Supplies

- For environmental protection and efficient use of resources, Fuji Xerox reuses returned toner cartridges to make recycle parts, recycle materials or energy recovery.
- Proper disposal is required for toner cartridges no longer needed. Do not open toner cartridges containers. Return them to your local Fuji Xerox representative.
- To recover scarce resources, rechargeable batteries used in the returned machines are recycled as materials or reused for energy generation.



# Storing Consumables

---

Store consumables in their original packaging until you need to use them. Do not store consumables in:

- Temperatures greater than 40 °C (140 °F).
- An environment with extreme changes in humidity or temperature.
- Direct sunlight.
- Dusty places.
- A car for a long period of time.
- An environment where corrosive gases are present.
- An environment with salty air.

# Managing the Printer

---

This section includes:

- ["Checking Printer Status with SimpleMonitor \(Windows Only\)" on page 146](#)

## ■ Checking Printer Status with SimpleMonitor (Windows Only)

SimpleMonitor is a tool that is installed with your Fuji Xerox print driver. It automatically checks the printer status when you send a print job. SimpleMonitor can check the remaining amount of the toner cartridge.

### Starting SimpleMonitor

Double-click the SimpleMonitor icon on the taskbar or right-click the icon and select **Printer Selection**.

If the SimpleMonitor icon is not displayed on the taskbar, open SimpleMonitor from the **start** menu.

The following procedure uses Microsoft® Windows® XP as an example.

- 1 Click **start** → **All Programs** → **Fuji Xerox** → **Fuji Xerox Printer Software for Asia-Pacific** → **DocuPrint P205 b** → **Activate SimpleMonitor**.

The **Printer Selection** window appears.

- 2 Click the name of the desired printer from the list.

The **Printer Status** window appears.

For more information about SimpleMonitor, refer to the online Help.

#### See also:

- ["SimpleMonitor \(Windows Only\)" on page 42](#)

# Conserving Supplies

---

You can change several settings in your print driver to conserve toner and paper.

Supply	Setting	Function
Toner cartridge	<b>Toner Saving Mode</b> in the <b>Graphics</b> tab of the print driver	This check box allows the users to select a print mode that uses less toner. When this feature is used, the image quality will be lower than when it is not used.
Print media	<b>Multiple Up</b> in the <b>Layout</b> tab of the print driver	The printer prints two or more pages on one side of a sheet. The available numbers that each print driver can print one sheet of paper are as follows: <ul style="list-style-type: none"><li>• Windows Print Driver: 2, 4, 8, or 16 pages</li><li>• Mac OS<sup>®</sup> X Print Driver: 2, 4, 6, 9 or 16 pages</li></ul> Combined with the duplex setting, <b>Multiple Up</b> allows you to print up to 32 pages on one sheet of paper. (16 images on the front and 16 on the back)

# Checking Page Counts

---

The total number of printed pages can be checked by printing a System Settings page. The total number of printed pages is shown on the Print Volume section, classified by paper sizes.

Single side print (including N-Up) is counted as one job, and 2-sided print (including N-Up) is counted as two. During 2-sided printing, if an error occurs after one side is printed properly, it is counted as one.

When doing 2-sided printing, a blank page may be inserted automatically depending on the settings of the application. In this case, the blank page is counted as one page. However, when doing 2-sided printing for odd number of pages, the blank page inserted to the rear side of the last odd page is not counted.

## NOTE:

- Refer to "[Printing a System Settings Page](#)" on page 89 for details on how to print a System Settings page.

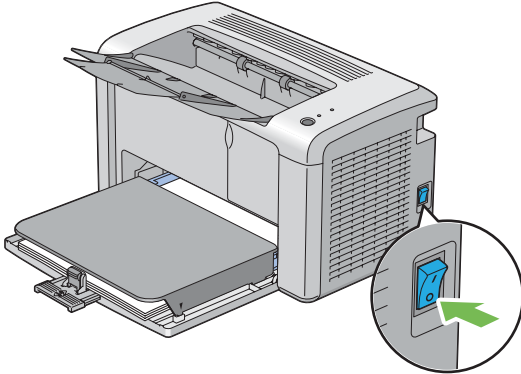
# Moving the Printer

---

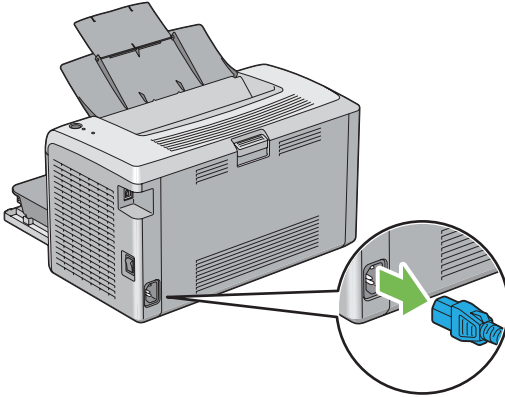
## NOTE:

- The rear side of this printer is heavier than the front. Take note of this difference in weight when moving the printer.

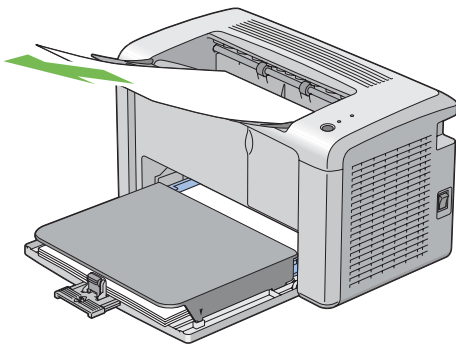
- 1 Turn off the printer.



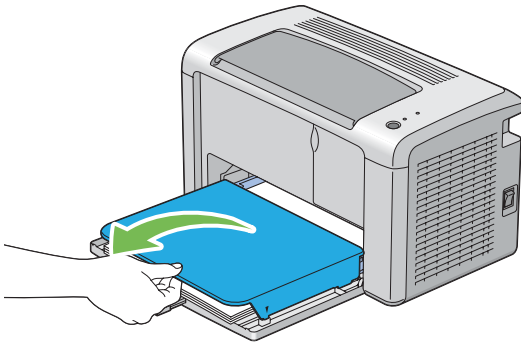
- 2 Disconnect the power cord and the USB cable.



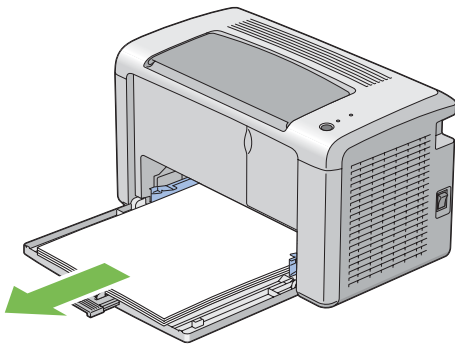
- 3 Remove any paper in the center output tray if there is. Close the output tray extension.



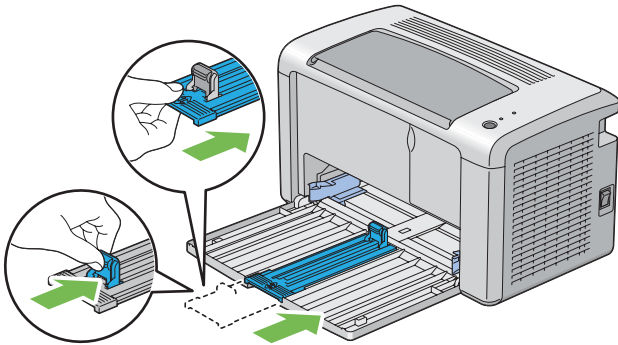
- 4 Remove the paper cover.



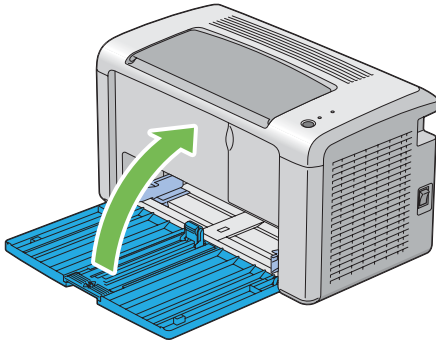
- 5** Remove any paper in the multipurpose feeder (MPF). Keep the paper wrapped and away from humidity and dirt.



- 6** Slide the slide bar and the length guide backward until each of them stops.



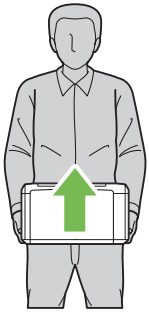
- 7** Close the front cover.



**8** Lift the printer and move it gently.

**NOTE:**

- If the printer is to be moved over a long distance, the toner cartridge should be removed to prevent toner from spilling and the printer should be packed inside a box.







# Contacting Fuji Xerox

This chapter includes:

- ["Technical Support" on page 154](#)
- ["Online Services" on page 155](#)

# Technical Support

---

Fuji Xerox recommends the Customer first utilize support materials shipped with the product, product diagnostics, information contained on the Web, and email support. If unsuccessful, to obtain service under product warranty the Customer must notify Fuji Xerox Telephone Support or its authorized service representative of the defect before the expiration of the warranty period. Customer will provide appropriate assistance to Telephone Support personnel to resolve issues, such as restoration of the operating system, software program and drivers to their default configuration and settings, verification of functionality of Fuji Xerox supplied products, replacement of customer replaceable units, clearing paper misfeeds and cleaning the unit and other prescribed routine and preventative maintenance.

If the Customer's product contains features that enable Fuji Xerox or its authorized service representative to diagnose and repair problems with the product remotely, Fuji Xerox may request that the Customer allow such remote access to the product.

# Online Services

---

You can find detail Product and Consumable warranty information and activate your warranty by registering your details on our website at <http://www.fujixerox.com/support/docuprint/>

Fuji Xerox Online Support Assistant provides instructions and troubleshooting guides to resolve your printer problems. It is an easy-to-use, searchable online help. To find out more, please visit our online support at <http://www.fujixerox.com/support/docuprint/>



# Index

- A**
  - Avoiding Jam 99
- B**
  - Basic Printer Problems 107
  - Button 33
- C**
  - Canceling a Job 80
    - from Computer 80
    - from Operator Panel 80
  - Center Output Tray 31
  - Clearing Jams 98
  - Clearing Paper Jam
    - From Back of the Printer 102
    - From Front of the Printer 101
    - From the Center Output Tray 104
  - Connecting Printer 46
  - Connection Specification 46
  - Connection Type 46
  - Conserving Supplies 147
  - Consumables 141
  - Contacting Service 126
- D**
  - Display Problems 108
- E**
  - Electrical Safety 12
  - Empty Toner Alert Msg 135
  - Error LED 33
- F**
  - Front Cover 31
- I**
  - Installing
    - Print Driver 48
  - Installing a Toner Cartridge 138
- J**
  - Jam Problems 106
- L**
  - Launcher 43
  - Length Guide 31
  - Levers 32
  - Loading Envelope
    - Multipurpose Feeder (MPF) 69
  - Loading Print Media 63
    - Multipurpose Feeder (MPF) 66
  - Low Toner Alert Msg 135
- M**
  - Main Components 30
  - Managing
    - Printer 145
  - Manual Duplex Printing 74
  - Moving
    - Printer 149
  - Multipurpose Feeder (MPF) 31
- N**
  - Non-Genuine Mode 131
- O**
  - Obtaining the Product Information 130
  - Operator Panel 31
  - Operator Panel Lights 93, 128
  - Ordering Supplies 142
  - Output Tray Extension 31, 77
- P**
  - Paper Chute 32
  - Paper Cover 31
  - Paper Feed Roller 32
  - Paper Jam Location
    - Center Output Tray 100
    - Front Cover 100
    - Levers 100
    - Multipurpose Feeder (MPF) 100
    - Rear Cover 100
    - Transfer Belt 100
  - Paper Width Guides 31, 67
  - Parts Name 30
  - Power Connector 32
  - Power Switch 31
  - Print Driver (Mac OS X)
    - Installing Print Driver 51
  - Print Driver Installing 48
  - Print Media 147
    - Dimensions 65
  - Print Quality Problems 111
  - Printer

- Managing 145
- Moving 149
- Printer Software 39
- Printing 78
  - Custom Paper 86
    - with Mac OS X Driver 87
    - with Windows Print Driver 87
- Printing Basics 55
- Printing Problems 109
- Product Features 23

## **R**

- Ready LED 33
- Rear Cover 32
- Rear Cover Handle 32
- Recycling Supplies 143
- Removing the Toner Cartridge 136
- Report Page 89
- Resetting to Factory Defaults 92

## **S**

- Safety
  - Electrical 12
  - Operational 16
- Sending Print Job 79
- SimpleMonitor Alerts 129
- Slide Bar 31
- Specifications 25
- Storing Consumables 144
- Supplies
  - Recycling 143
  - When to Order 142

## **T**

- Toner Access Cover 31
- Toner Cartridge 147
- Total Page Counts 148
- Transfer Belt 32
- Transfer Roller 32

## **U**

- USB Port 32, 46