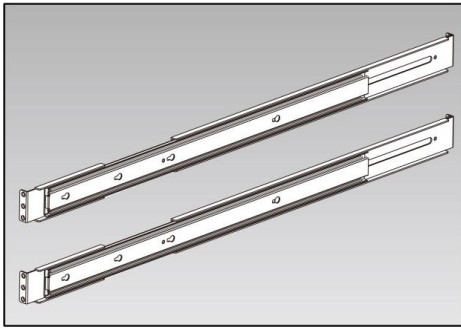
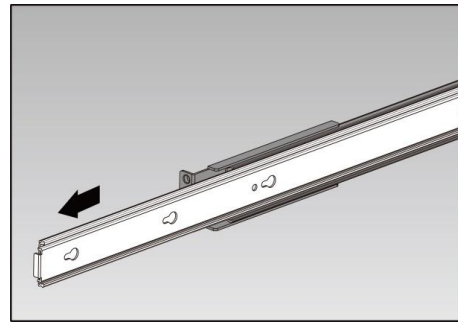


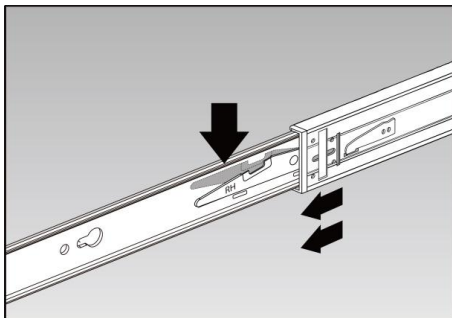
Rack Mounting Kit Installation Guide



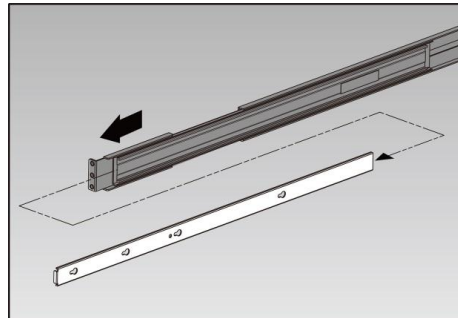
Step 1. Take out the two rail assemblies.



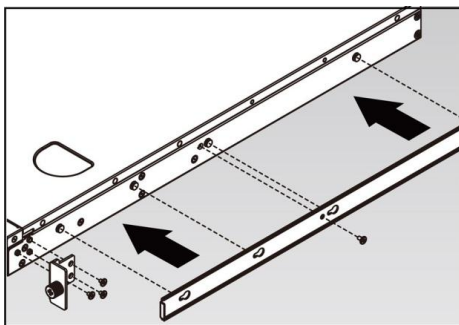
Step 2. Fully extend the rail assembly by pulling it outward.



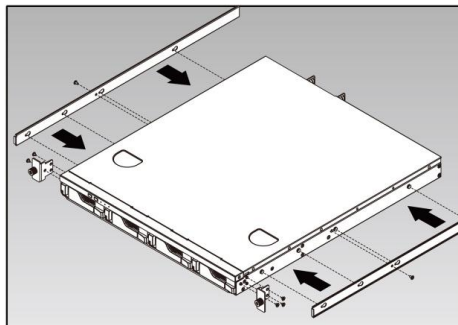
Step 3. Press down on the release tab and pull the inner rail out.



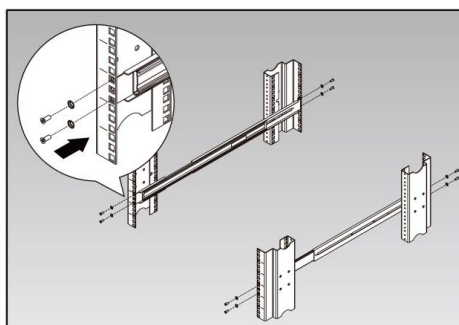
Step 4. Separate the inner rail from the outer assembly.



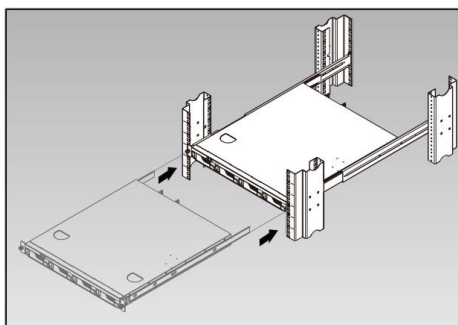
Step 5. Line up the holes on the inner rail with the pegs on the system chassis and push the inner rail all the way in.



Step 6. Mount the inner rails to the system chassis using the provided mounting studs.



Step 7. Mount the outer rail assembly to your rack. Please note that both the front and back of the outer rail assembly will need to be fastened to the rack with two screws.



Step 8. Align the rails and push the system chassis all the way into the rack.