

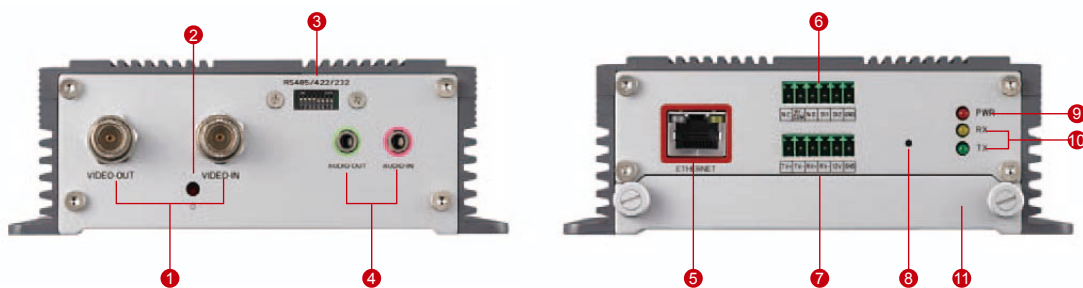
TCD-2500

1-channel H.264
Video Encoder with WDR



- 25/30 fps at full D1 resolution
- Selectable H.264, MPEG-4 SP, MJPEG compressions with dual streaming
- Two-way audio
- Video motion detection
- Digital input and digital output
- 2.5" HDD slot for local storage
- 3D deinterlacing
- Serial ports for PTZ control
- Analog video output
- Wide dynamic range

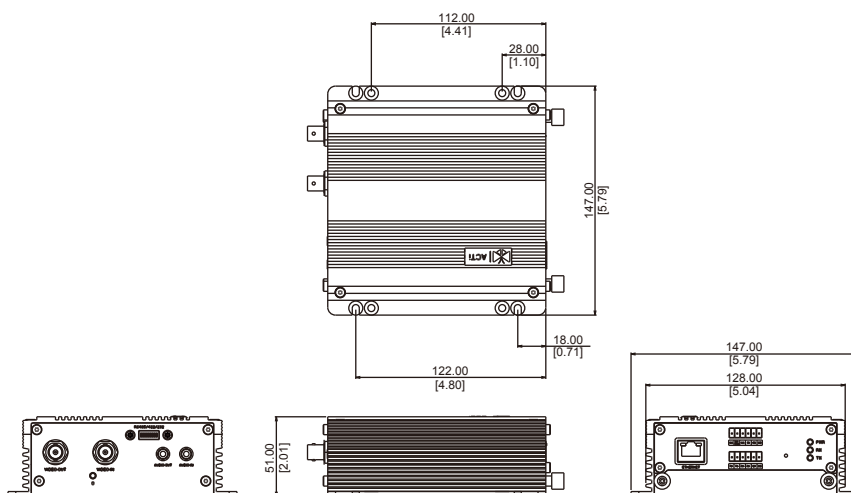
PHOTO INDICATION



- ① Analog Video Input / Output
- ② HDD LED
- ③ Serial Porting Setting
- ④ Audio Input / Output

- ⑤ Ethernet Port
- ⑥ Digital Input / Output
- ⑦ Serial Port & DC 12V Power Input
- ⑧ Reset Button
- ⑨ Power LED
- ⑩ Serial Port LED
- ⑪ HDD Tray

DIMENSION DIAGRAM



Unit: mm [inch]

PRODUCT SPECIFICATION

TCD-2500

• Device

Device Type	Video Encoder
Number of Channels	1

• PTZ

Protocol	Pelco-D, Pelco-P V1 and V2, Dynacolor, Sony VISCA, American Dynamics
----------	--

• Video

Compression	H.264, MPEG-4 SP, MJPEG
Maximum Frame Rate vs. Resolution	30 fps at 720 x 480 (Full D1, NTSC); 25 fps at 720 x 576 (Full D1, PAL) 30 fps at 352 x 240 (CIF, NTSC); 25 fps at 352 x 288 (CIF, PAL) 30 fps at 160 x 112 (QCIF, NTSC); 25 fps at 176 x 144 (QCIF, PAL)
Multi-Streaming	Simultaneous dual streams based on two configurations
Bit Rate	28 Kbps - 6 Mbps (per stream)
Bit Rate Mode	Constant, Variable
Image Enhancement	Wide dynamic range; Brightness; Saturation; Contrast; Sharpness; Digital noise reduction; Black level extension; 3D deinterlacing; Skin tone enhancement
Privacy Mask	4 configurable regions
Text Overlay	User defined text on video

• Audio

Compression	8 kHz, Mono, PCM, 16 bit encoding
Audio-In	3.5 mm Phone Jack
Audio-Out	3.5 mm Phone Jack

• Network

Protocol & Service	TCP, UDP, HTTP, HTTPS, DHCP, PPPoE, RTP, RTSP, IPv6, DNS, DDNS, NTP, ICMP, ARP, IGMP, SMTP, FTP, UPnP, SNMP, Bonjour
Ethernet Port	1, Ethernet (10/100 Base-T), RJ-45 connector
Security	IP address filtering; HTTPS encryption; Password protected user levels; IEEE 802.1X network access control

• Alarm

Alarm Trigger	Video motion detection (3 regions); External device through digital input
Alarm Response	Notify control center; Go to PTZ preset point or preset tour; Change camera settings; Command other devices; E-mail notification with snapshots; Save video or snapshot to local storage; Upload video, snapshot to FTP server; Activate external device through digital output

• Interface

Analog Video Input	1, CVBS, 1.0Vp-p with 75Ω BNC connector
Analog Video Output	1, CVBS, 1.0Vp-p with 75Ω BNC connector
Digital Input	2, terminal block
Digital Output	1, terminal block
Serial Port	RS-485, RS-422, RS-232, terminal block
Local Storage*	2.5" HDD slot (Hard Disk not included)

• General

Power Source / Consumption	DC 12V ±10% / 4.7 W
Weight	870 g (1.92 lb)
Dimensions (W x H x D)	147 mm x 51 mm x 139.5 mm (5.79" x 2.01" x 5.49")
Operating Temperature	-10 °C ~ 50 °C (14 °F ~ 122 °F)
Operating Humidity	10% ~ 85% RH
Approvals	Video Encoder: CE, FCC; Adapter: CE, TUV-GS, UL, RCM, CCC

• Integration

Unified Solution	Fully compatible with ACTi software
ISV Integration	Software Development Kit (SDK) available
Firmware Access Browser	Microsoft Internet Explorer 6.0 or newer