

# E13

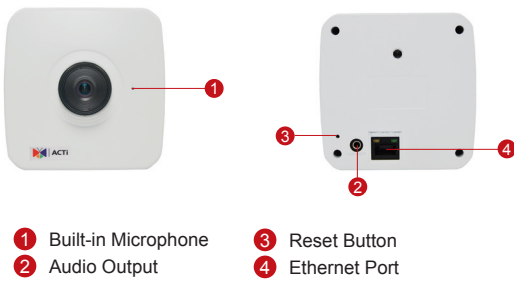
## 5MP Cube with Basic WDR, Fixed lens



\* The bracket is included.

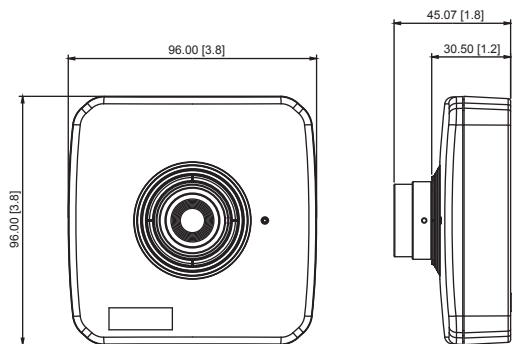
- Progressive Scan CMOS
- Minimum illumination 0.1 lux at F2.0
- Built-in f2.8mm / F2.0 Megapixel fixed lens
- 15 fps at 2592 x 1944 resolution
- Selectable H.264 HP, MJPEG compressions with dual streaming
- Two-way audio
- Video motion detection
- Basic WDR
- Powered by PoE Class 2

### PHOTO INDICATION



- 1 Built-in Microphone
- 2 Audio Output
- 3 Reset Button
- 4 Ethernet Port

### DIMENSION DIAGRAM



Unit: mm [inch]

### ACCESSORY OPTIONS

#### Lens

PLEN-0101



IR Compatible, Fixed Iris, F1.8, f4.2mm, 62°

## PRODUCT SPECIFICATION

### E13

#### • Device

|                          |   |
|--------------------------|---|
| Device Type              | Cube Camera   |
| Image Sensor             | Progressive Scan CMOS   |
| Sensor Size              | 1/3.2"  |
| Day / Night              | No  |
| Minimum Illumination     | Color: 0.1 lux at F2.0 (30 IRE, 2400 °K)                        |
| Mechanical IR Cut Filter | No  |
| IR Sensitivity Range     | No  |
| Electronic Shutter       | 1/5 ~ 1/2,000 sec (manual mode); 1/5 ~ 1/10,000 sec (auto mode) |

#### • Lens

|                          |                                 |
|--------------------------|---------------------------------|
| Focal Length / Aperture  | Fixed focal, f2.8 mm / F2.0     |
| Iris                     | Fixed iris                      |
| Focus                    | Manual focus                    |
| Lens Mount               | CS Mount (interchangeable lens) |
| Horizontal Viewing Angle | 81.6°                           |

#### • Video

|                                   |  |
|-----------------------------------|--|
| Compression                       | H.264 HP, MJPEG  |
| Maximum Frame Rate vs. Resolution | 15 fps at 2592 x 1944; 15 fps at 2048 x 1536;<br>30 fps at 1920 x 1080; 30 fps at 1280 x 720; 30 fps at 640 x 480  |
| Multi-Streaming                   | Simultaneous dual streams based on two configurations  |
| Bit Rate                          | 28 Kbps - 6 Mbps (per stream)  |
| Bit Rate Mode                     | Constant, Variable   |
| Image Enhancement                 | Basic WDR; White balance: automatic, hold, and manual; Brightness;<br>Contrast; Sharpness(auto); Auto gain control; Digital noise reduction; Flickerless |
| Privacy Mask                      | 4 configurable regions   |
| Text Overlay                      | User defined text on video   |
| Image Orientation                 | Image flip and mirror  |

#### • Audio

|             |   |
|-------------|---|
| Compression | 8kHz, Mono, PCM, 16 bit encoding; G.711 |
| Audio-In    | Built-in Microphone                     |
| Audio-Out   | 3.5mm Phone Jack                        |

#### • Network

|                    |  |
|--------------------|--|
| Protocol & Service | TCP, UDP, HTTP, HTTPS, DHCP, PPPoE, RTP, RTSP, IPv6, DNS, DDNS, NTP, ICMP, ARP, IGMP, SMTP, FTP, UPnP, SNMP, Bonjour       |
| Ethernet Port      | 1, Ethernet (10/100 Base-T), RJ-45 connector   |
| Security           | IP address filtering; HTTPs encryption; Password protected user levels; Anonymous login; IEEE802.1X network access control |

#### • Alarm

|                |  |
|----------------|--|
| Alarm Trigger  | Video motion detection (3 regions)   |
| Alarm Response | Notify control center; Change camera settings; Command other devices; E-mail notification with snapshots; Upload video, snapshot to FTP server |

#### • General

|                            |   |
|----------------------------|---|
| Power Source / Consumption | PoE Class 2 (IEEE802.3af) / 3.67 W                              |
| Weight                     | 205 g (0.45 lb)   |
| Dimensions (W x H x D)     | 96mm x 96mm x 45.07mm (3.8" x 3.8" x 1.8")                      |
| Bundled Accessories        | Bracket   |
| Mount Type                 | Wall, Ceiling   |
| Operating Temperature      | -10 °C ~ 45 °C (14 °F ~ 113 °F)                                 |
| Operating Humidity         | 10% ~ 85% RH  |
| Approvals                  | CE (EN 55022 Class B, EN 55024), FCC (Part15 Subpart B Class B) |

#### • Integration

|                         |   |
|-------------------------|---|
| Unified Solution        | Fully compatible with ACTi software   |
| ISV Integration         | Software Development Kit (SDK) available; ONVIF compliant   |
| Firmware Access Browser | Microsoft Internet Explorer 8.0 or newer (full functionality);<br>Other browsers with VLC installed (partial functionality) |