



1-channel MPEG-4 Video Encoder

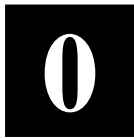
ACD-2100

Ver. 080619

User's Manual



www.acti.com



PRECAUTIONS

1. Read these instructions

All the safety and operating instructions should be read before the product is operated.

2. Heed all warnings

All warnings on the product and in the instruction manual should be adhered to.



The symbol indicates the following items, please carefully read the description next to each symbol.

- a. Failure to follow the safety instruction given may directly endanger people, cause damage to the system or to other equipment.
- b. The requirements to make this device work, including hardware, computer settings, network settings, and operation procedures.
- c. The tips to make using this device easier, more convenient and more efficient.

3. Servicing

Do not attempt to service this video product yourself as opening or removing covers may expose you to dangerous voltage or other hazards. Refer all servicing to qualified service personnel.

Trademarks

All names used in this manual for hardware and software are probably registered trademarks of respective companies.

Liability

Every care has been taken during writing this manual. Please inform your local office if you find any inaccuracies or omissions. We cannot be held responsible for any typographical or technical errors and reserve the right to make changes to the product and manuals without prior notice.

FCC/CE Regulation

NOTE: This equipment has been tested and found to comply with the limits for a Class A digital device, pursuant to Part 15 of the FCC Rules. These limits are designed to provide reasonable protection against harmful interference when the equipment is operated in a commercial environment. This equipment generates, uses,

and can radiate radio frequency energy and, if not installed and used in accordance with the instruction manual, may cause harmful interference to radio communications. Operation of this equipment in a residential area is likely to cause harmful interference in which case the user will be required to correct the interference at his own expense.

Table of Contents

0	<i>PRECAUTIONS</i>	0-1
	Trademarks	0-1
	Liability.....	0-1
	FCC/CE Regulation	0-1
1	<i>INTRODUCTION</i>	1-1
1.1	Package Contents	1-1
1.2	Features and Benefits	1-2
1.3	Safety Instructions	1-4
1.4	Physical Description	1-6
1.5	Mounting the Video Encoder	1-9
1.6	Basic Connections	1-10
1.7	Product Specification	1-11

1

INTRODUCTION

1.1 Package Contents

ACD-2100



Warranty Card



Software CD



Terminal Blocks & Screws



Power Adaptor (Option)



1.2 Features and Benefits

This 1-channel MPEG-4 Video Encoder is a cutting-edge digital video transmission device. It can compress and transmit real time images with outstanding images quality (D1, 720x480) at reasonable bandwidth through a standard TCP/IP network. That is because it is Ethernet ready and has the powerful ARM9 SoC and the MPEG-4 compression ASIC inside. In addition, with these powerful hardware platform, excellent SDK support and powerful respective apparatuses (e.g. the transcoder), this 1-channel MPEG-4 Video Encoder is your best choice building up either conventional IP surveillance system or intelligent IP surveillance system.

Real-time MPEG-4 Compression

With hardware MPEG-4 compression chip inside, the composite video inputs can be efficiently compressed into MPEG-4 bit stream without any delay. The ASIC base compression engine can support not only CIF, but also FULL D1 image resolution.

Digital Time Code Embedded

The “Digital Time Code Embedded” function is to embed the recording time in the MPEG bit stream. Therefore, each image frame has its respective time when it was recorded. It is very useful when users want to find the video at an exact time or between a certain time intervals.

DDNS Supported

This 1-channel MPEG-4 Video Encoder supports DDNS (Dynamic Domain Name Server), users can set this 1-channel MPEG-4 Video Encoder at a virtual domain name (such as cam1.Taipei.xxx) at dynamic IP. Everyone can use the virtual domain name to view the video anywhere that has the access to the internet.

Build-in Hardware Motion Detection

No more external motion sensors are required. Each 1-channel MPEG-4 Video Encoder can be set up to 3 detection areas. By tuning the object size and sensitivity, it is very reliable to fit into your environment. Besides, hardware motion detection delivers better sensitivity and responds faster than software motion detection.

Bundle Powerful Surveillance Software

To extend the capabilities of the IP outdoor rugged dome series, a

powerful surveillance program is included in the package and is very free to use. Users can easily utilize the existing PC to be a digital video recorder. Schedule recording and manual recording keep every important image recorded in the local hard disk. Reliable and accurate motion detection with instant warning makes you responsive in every condition. Quick and simple search and playback function lets you easily find the images you want.

Software Development Kit Support

This 1-channel MPEG-4 Video Encoder can be integrated or controlled by user's application program through the Streaming Library or ActiveX control. With its high level programming interface, software developer's time and efforts to is highly reduced.

1.3 Safety Instructions

Don't use the power supply with other voltages

This device is likely to be damaged or damage other equipments / personnel, if you use a power supply with different voltage than the one included with this device. All warranty of this product will be voided in the situations above.

Don't open the housing of the product

Cleaning

Disconnect this video product from the power supply before cleaning.

Attachments

Do not use attachments not recommended by the video product manufacturer as they may cause hazards.

Water and Moisture

Do not use this video product near water, for example, near a bathtub, washbowl, kitchen sink, or laundry tub, in a wet basement, or near a swimming pool and the like.

Don't use accessories not recommended by the manufacturer

- **Only install this device and the power supply in a dry place protected from weather**
- **Servicing**

Do not attempt to service this video product yourself as opening or removing covers may expose you to dangerous voltage or other hazards. Refer all servicing to qualified service personnel.

Damage Requiring service

Disconnect this video product from the power supply immediately and refer servicing to qualified service personnel under the following conditions.

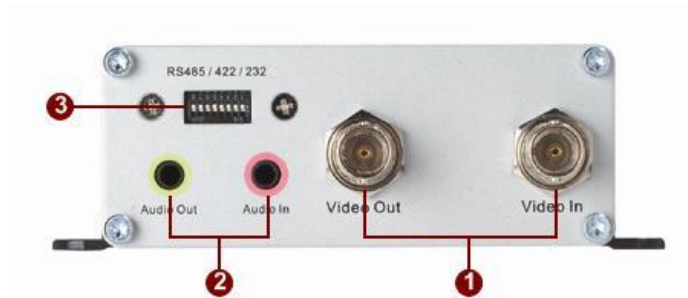
1. When the power-supply cord or plug is damaged.
2. If liquid has been spilled, or objects have fallen into the video product.
3. If the video product has been exposed to rain or water directly.

4. If the video product does not operate normally by following the operating Instructions in this manual. Adjust only those controls that are covered by the instruction manual as an improper adjustment . Other controls may result in damage and will often require extensive work by a qualified technician to restore the video product to its normal operation.

Safety Check

Upon completion of any service or repairs to this video product, ask the service technician to perform safety checks to determine that the video product is in proper operating condition.

1.4 Physical Description



1. Video Input / Output

The Video Encoder supports one analog video input and output of composite signal with BNC connectors

2. Audio Input / Output

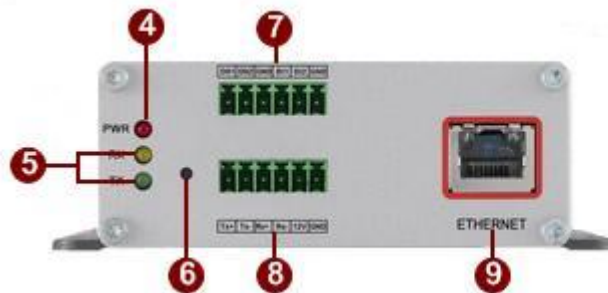
The Video Encoder supports one audio input and output with earphone jack

3. Dip Switch for Serial Port

RS-485 or RS-422 pin define (default is RS-485)



RS-232 pin define



4. Action LED Indicator

The LED will light up after Video Encoder has successfully completed the boot process.

5. Serial Port LED Indicator

LEDs indicating when serial port is active.

6. Reset Button

Step 1: Switch off Video Encoder by disconnecting the power

cable

Step 2: Using a suitable pointed object, press and continue to hold the Reset Button depressed. While continuing to hold the reset button depressed, reconnect the power cable.

Step 3: Keep holding the reset button depressed around 6 seconds, release the reset button. The unit will start up with factory default settings.

7. Terminal Blocks Pin 1~6

The Video Encoder supports two alarm input and two alarm output. DI: Logic Level 0: 0~0.4V; Logic Level 1: 3.3~30V
DO: Logic Level 0: 0.1~0.6V; Logic Level1: 2.4~5V
Please find Support package” TS-00045” for details.

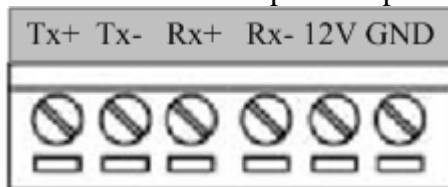


PIN	NAME	DESCRIPTION
1	DO1	Digital Output 1
2	DO2	Digital Output 2
3	GND	Ground Pin
4	DI1	Digital Input 1
5	DI2	Digital Input 2
6	GND	Ground Pin

8. Terminal Blocks Pin 7~12

Pin 7~10: RS232/422/485. Default mode is RS-485

Pin 11~12: DC 12V power input



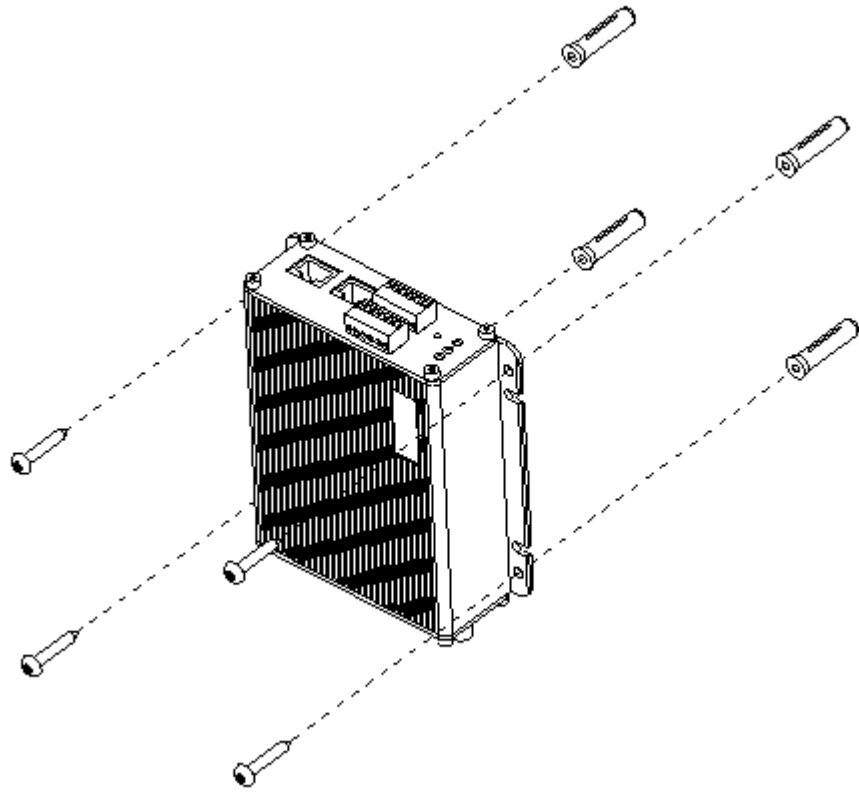
PIN	NAME	DESCRIPTION		
		RS-485	RS-422	RS-232
7	Tx+	D+	Tx+	Tx
8	Tx-	D-	Tx-	
9	Rx+		Rx+	Rx
10	Rx-		Rx-	

11	12V	Power Input (DC +12V)
12	GND	Ground Pin of Power Input & RS-232

9. Ethernet Port

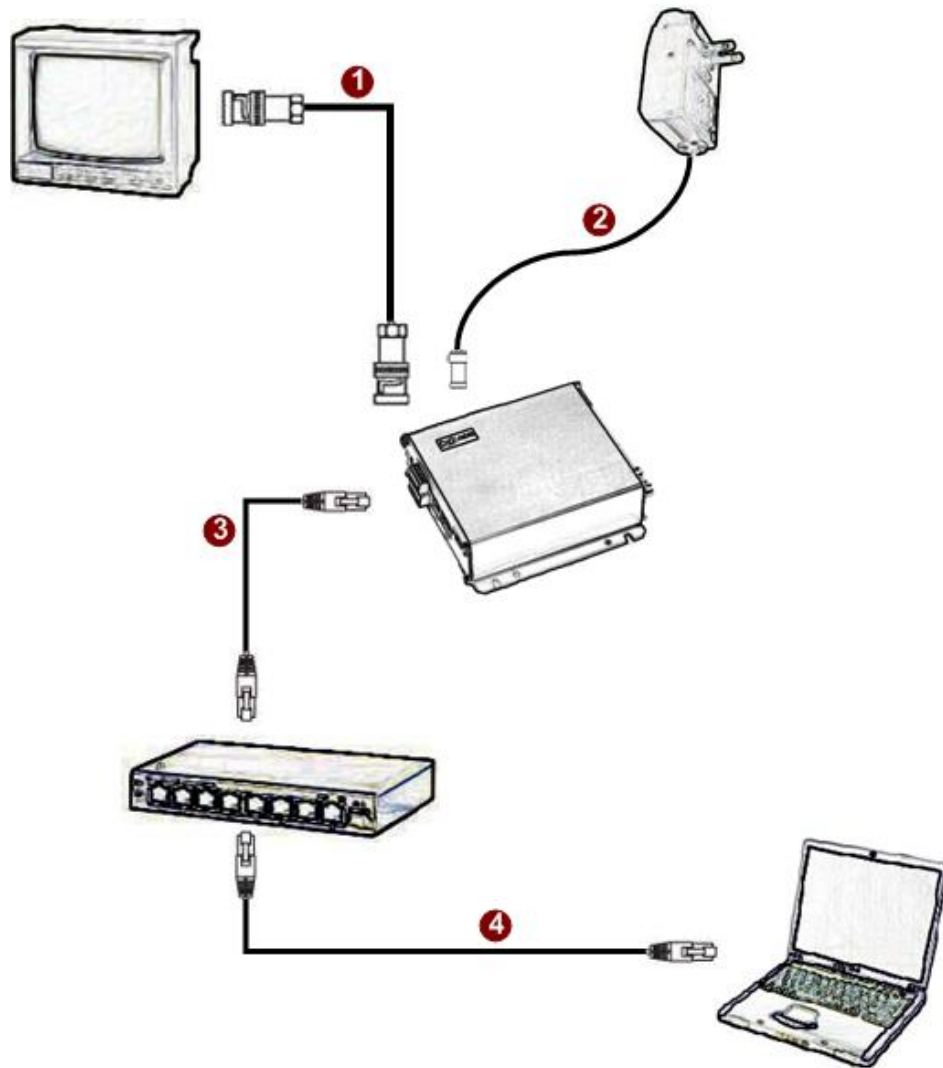
The Video Encoder connects to the Ethernet via a standard RJ45 connector. Supporting NWAY, this 1-channel MPEG-4 Video Encoder can auto detect the speed of local network segment (10Base-T/100Base-TX Ethernet).

1.5 Mounting the Video Encoder



1.6 Basic Connections

Follow the procedures below to connect the 1-channel MPEG-4 Video Encoder to the respective apparatuses.



1. Connect an analog monitor to Video Encoder video out (BNC connector).
2. Connect the power adaptor to Video Encoder
3. Connect Video Encoder's ethernet port to an Ethernet (RJ45 connectors)..
4. Connect a PC to the Ethernet hub (RJ45 connectors)

1.7 Product Specification

ACD-2100		
Video Compression	Compression	MPEG-4 SP , MJPEG selectable
	Picture Resolution	Full D1 (720x480 in NTSC, 720x576 in PAL) VGA (640x480 in NTSC, 640x480 in PAL) CIF (352x240 in NTSC, 352x288 in PAL) QCIF (160x112 in NTSC, 176x144 in PAL)
	Bit Rate	28K ~ 3M bps
	Image Frame Rate	30fps at full D1 resolution (NTSC) 25fps at full D1 resolution (PAL)
Video Input	Composite Input	CVBS, 1.0Vp-p with 75 Ω loading, BNC Connector
Video Output	Composite Output	CVBS, 1.0Vp-p with 75 Ω loading, BNC Connector
Audio Input	Compression	8kHz, Mono, PCM
	Audio Line Input	Unbalanced, 1.4 Vpp, 1 Vrms, 3.5 mm Phone Jack
Audio Output	Compression	8kHz, Mono, PCM
	Audio Line Output	Unbalanced, 1.4 Vpp, 1 Vrms, 3.5 mm Phone Jack
Alarm	Input	2, TTL, Terminal Block
	Output	2, TTL, Terminal Block
Remote Control	Serial Port	RS-485: Half Duplex, Terminal Block
		RS-422: Full Duplex, Terminal Block
		RS-232: Full Duplex, Terminal Block
External I/O	Reset Button	Factory Default
	LED	System Status
Network	Ethernet Port	Ethernet(10/100 Base-T), RJ45 Connector
	Protocol	TCP, UDP, IP, HTTP, DHCP, PPPoE, RTP, RTSP, FTP, SMTP, DNS, DDNS, NTP, ICMP, IGMP, ARP
Software	Web Browser	Microsoft Internet Explorer 6.0 or above
	SDK	SDK-10000
	Security	Password Protection: Configured by the Administrator
Operating	Temperature	0~50°C (32~122°F)
Power	Power Requirement	DC12V \pm 10%
	Power Consumption	3.5W
Physical	Dimensions	112x37.2x119mm (4.41"x1.46"x4.68")
	Weight-Net	350g (0.66lb)